

SAXDOR



200

Owner's Manual

Table of Contents

1 Welcome on board.....	5
1.1 Is this your first boat?.....	5
1.2 Your owner's manual.....	6
1.2.1 Structure of this manual.....	6
1.2.2 Equipment manufacturers' manuals.....	7
1.3 Copyright and disclaimer	7
1.4 Definitions.....	8
2 Be safe.....	10
2.1 Your responsibilities.....	10
2.2 Your safety bells and whistles on board.....	11
2.3 What is builder's plate?.....	12
2.4 What is design category?.....	12
2.5 Avoid emergencies.....	13
2.5.1 Avoid flooding and capsizing.....	13
2.5.2 Move safely on board.....	15
2.5.3 Don't play with fire.....	15
2.5.4 Consider the carbon monoxide hazard.....	16
2.6 Help!.....	16
2.6.1 What if your boat is flooded?.....	17
2.6.2 Man overboard!.....	17
2.6.3 Fire!.....	18
2.6.4 If you suspect carbon monoxide poisoning.....	18
3 You're the captain.....	19
3.1 Get going!.....	19
3.2 Driving and steering.....	20
3.2.1 Get to know how your boat handles.....	20
3.2.2 What is lanyard stop switch?.....	21
3.2.3 Got the attitude? About trimming your boat.....	21
3.2.4 See where you're going.....	22
3.2.5 Take it up a notch or a few.....	22
3.3 Mooring, towing and anchoring.....	23
3.4 Lifting and trailering.....	24

4 The what and where of your boat.....	26
4.1 General boat layout.....	26
4.1.1 Foredeck.....	27
4.1.2 Cockpit.....	27
4.1.3 Aft deck.....	28
4.1.4 Bathing platform.....	29
4.2 User controls.....	30
4.2.1 Helm station controls.....	31
4.2.2 Toilet compartment control panel.....	32
4.2.3 Main switch and fuse panels.....	33
4.3 Builder's plate.....	34
4.4 Safety on board.....	34
4.4.1 Safety equipment.....	35
4.4.2 Safe seating and moving areas.....	36
4.4.3 Safety labels on board.....	37
4.5 Hull and deck.....	41
4.5.1 Attachment points.....	41
4.5.2 Lifting points.....	42
4.5.3 Hull openings.....	43
4.5.4 Hatches.....	44
5 The how of your boat.....	45
5.1 Electrical system.....	45
5.1.1 Main switch.....	46
5.1.1.1 Switching power on and off.....	47
5.1.2 Fuses.....	47
5.1.2.1 Resetting tripped fuses.....	48
5.1.3 Batteries.....	48
5.1.3.1 Charging batteries.....	48
5.2 Engine and steering system.....	49
5.2.1 Engine.....	50
5.2.1.1 Starting the engine.....	50
5.2.2 Trim tabs.....	50
5.3 Fuel system.....	51
5.4 Draining system.....	52
5.4.1 Using bilge pumps.....	53
5.5 Fresh and waste water systems.....	54
5.5.1 Using the fresh water system.....	55

5.5.2 Using the toilet.....	55
5.5.3 Emptying the waste water tank.....	55
5.6 Navigation equipment.....	56
5.7 Comfort and fun.....	56
5.7.1 Seating.....	57
5.7.2 Water ski rack.....	58
5.7.3 Bathing ladder.....	59
5.7.4 Harbor covers.....	59
5.7.5 Lighting and audio.....	60
6 Respect the environment.....	61
6.1 Handling waste properly.....	61
6.2 Avoiding contaminant spills.....	61
6.3 Minimizing emissions and disturbance.....	61
6.4 Preventing the spreading of aquatic invasive species.....	62
7 Care for your boat.....	63
8 The details.....	64
8.1 Technical specification.....	64
8.2 Boat dimensions.....	66
8.3 Hull dimensions.....	67
9 Extras.....	69
9.1 Electrical wiring diagram.....	69
9.2 Warranty.....	69
9.3 Equipment manufacturers' websites.....	69
9.4 Warnings and cautions.....	70
9.5 Glossary.....	74

1 Welcome on board

Congratulations on the purchase of your new Saxdor yacht - the best decision ever made!

Saxdor Yachts welcomes you to the new era of boating! Your Saxdor yacht is built to the highest standards for your pleasure with cutting-edge technologies and attention to safety. Enjoy your new boat's amazing design and high functionality coupled with excellent driving.

This manual is your buddy — not something you stow in the furthest corner of your boat. It contains, together with the equipment manufacturers' manuals, essential information you will need to operate your boat in a safe and enjoyable way. It includes detailed information about the boat and its equipment and accessories, as well as instructions for use and correct maintenance of the boat. Please read the manual carefully and familiarise yourself with your boat before using it.

However, this owner's manual alone is not meant to be a sufficient source of information on safe boating and seamanship. If this is your first boat or if the boat type is not familiar to you, please make sure you obtain sufficient training and experience in handling and using the boat before heading out.

If you sell your boat, please make sure to pass this manual, along with the equipment manufacturers' manuals, on to the new owner.

For more details, see section [1.2 Your owner's manual](#) on page 6.

1.1 Is this your first boat?

We are really happy to welcome you on board as a captain of your first boat — and that being a Saxdor! Let's get you introduced to some important information so your boat can serve you well on every journey, and both you and the boat remain safe and well taken care of at all times.

- Safety first

We cannot emphasize the importance of safety enough. If you're new to the addictive joy of being a captain, please take the time to carefully read sections [2 Be safe on page 10](#) and [3 You're the captain on page 19](#). Although your boat is built to the highest safety standards, it is important that you understand the safety aspects of seamanship and have the necessary skills that allow you to enjoy your yacht to the fullest.

- Consider a boating course

If you are new to the world of seafaring, a course on boating safety and seamanship can help you get the right introduction and a feeling of confidence. Your Saxdor dealer or boating society will be able to guide you on this.

- You may need a driver's licence

Some countries require that you have a licence to operate your boat. There may also be specific regulations and carriage requirements in place. Your Saxdor dealer will know about the requirements in your own country.

- Insurance is a good idea, even if not required by law

Insurance can cover for any damage that may occur whenever the boat is being transported and stored, and in use.

Your Saxdor dealer and/or local authorities can provide you with information about insurance requirements in your area. You can also contact insurance companies directly for information on the various alternatives available.

- Registration

In some regions it may be mandatory to register boats of your boat type. Operating the boat may also be subject to holding a license or other qualification. In addition, minimum age requirements may apply.

If unsure, check with your Saxdor dealer.

1.2 Your owner's manual

Learn more about the contents and availability of the user documentation.

The latest version of your manual is always available in the Saxdor share portal. You can check for updated versions for your model year at manuals.saxdoryachts.com.



This manual describes all the options available for this boat model. The configuration on your boat may vary depending on the equipment you have selected, and some of the options may not be available in your region.

The equipment manufacturers' manuals complement this owner's manual. They are included in the Saxdor documentation bag that comes with your purchase.

In case of any difficulties, contact Saxdor Yachts local representative for advice and assistance. Saxdor contact information is available at www.saxdoryachts.com.

1.2.1 Structure of this manual

The information you will find in the following sections of this manual is organized as follows.

- Be safe

A guide on the steps you need to take to ensure you, your crew, and your guests remain safe at all times whenever on board.

- You're the captain

Get to know how your boat operates, and take control. This manual is, however, not a course on seamanship or boating safety. For the comfort and safety of both yourself and your crew and guests, please ensure you take a boating and seamanship course, or otherwise gain the handling and operating experience you need, before taking the boat out to sea.

- The what and where of your boat

This section is a graphical presentation of the contents of your boat. See the overall layout and positions of equipment on board at a glance, and discover the different components and control functions in detail.

- The how of your boat

Learn how the systems on your boat work. While this section does give some instructions on how to operate the boat, it doesn't provide full step-by-step instructions on the equipment on board. For these, you need to consult the equipment manufacturers' own manuals.

- Respect the environment

What you can do to keep other persons, the sea and mother nature from harm.

- Care for your boat

This section will give you some guidelines on how to best take care of your boat to ensure a long lifespan and maximum pleasure, but it is not a detailed maintenance guide. Consult the equipment manufacturers' manuals for more detailed instructions. We advise you to always turn to a professional service for the maintenance of your boat.

- When in trouble

Some tips for simple troubleshooting.

- The details

All the technical specifications and the dimensions of your boat.

- Extras

Appendices. Links to the full warranty card, wiring diagrams, and equipment manufacturers' websites. Also a glossary of some important terms, and a summary of warnings and cautions that occur in this manual.

1.2.2 Equipment manufacturers' manuals

The Saxdor documentation bag includes a hard copy of the manuals or quick guides of the equipment that you have selected for your boat.

However, in today's digital world many manufacturers, like us, do not offer any printed documentation at all. So have a look at their websites for any content you might need! For example, you can look there for more detailed instructions and for the most up-to-date information.

For your convenience, a list of the equipment manufacturers' websites is available in Extras. Note that the list is not exhaustive.

Related information

[9.3 Equipment manufacturers' websites](#) on page 69

1.3 Copyright and disclaimer

Property rights / Copyrights

1. The information included in this document remains the exclusive property of Saxdor Yachts Ltd (hereinafter "Saxdor")
2. Under this document, or in any other act that has been performed in the process of the purchase of the Saxdor boat (hereinafter "Product"), Saxdor does not convey licenses or other rights of any kind,

including but not limited to, rights to know-how, patents, utility models, designs, copyrights or other industrial property rights or titles, be it expressed, implied or tacited.

3. Except for the right to utilize the Product and this document, the issuance of the document does not constitute an express or implied grant to any rights to or under Saxdor's patents, copyrights, trade secrets, trademarks or other intellectual property rights. The owner/recipient of this manual and of the Product (hereinafter "User") will not use any tradename, trademark, logo or any other proprietary rights of Saxdor or any of its affiliates in any manner without a prior written authorization of such use by a duly authorized representative of Saxdor.
4. The User is prohibited from registering his/hers own industrial property rights, such as patents, registered design or utility models, on the basis of the information obtained or received with this document or in connection with the Product purchase, as well as otherwise exploit the information included in this document for commercial gain.

Disclaimer

1. This document is provided "as is". The information in this document is believed to be accurate and reliable. However, Saxdor is not responsible for the content of this document, insofar as legally permissible, and makes no representations or warranties, express or implied, as to the accuracy or completeness of such information and shall not be liable for the consequences of the use of the information included.
2. This document, unless explicitly otherwise indicated, does not include any implied warranties of satisfactory quality, merchantability, fitness for a particular purpose, compatibility or non-infringement.
3. Saxdor reserves the right to make changes to the information published in this document, including without limitation specifications and product descriptions, at any time and without notice.
4. This document supersedes and replaces all information supplied prior to the publication hereof.
5. Saxdor products are not designed, authorized or warranted to be suitable for applications where failure or malfunction could result in personal injury, death, or serious property or environmental damage. Saxdor is not responsible for the incorporation and/or use of its products in such situations or applications, and therefore, such inclusion and/or use is at the User's own risk.
6. Neither Saxdor nor anyone else who has been involved in the creation, production or delivery of the Product shall be liable for any special, indirect, consequential, incidental or punitive damages (including, but not limited to, lost revenues, profits and/or savings) arising from reasonably improper use or inability to use the Product, even if Saxdor has been informed of the possibility of such damages or claims.

1.4 Definitions

See here the conventions used in this manual.

Measurement units

Measurement units are, in general, given in accordance with the International System of Units (SI) and the United States Customary Units (USCS). Exceptions:

- Wind force is given in the Beaufort scale (BFT)
- Speed is given in knots (kn).

Figures

All figures are shown for illustration purposes only. Actual product may vary depending on the selected optional features and equipment.

- Details framed in solid red line illustrate areas and equipment locations on your boat.
- Details framed in dotted red line refer to areas or equipment which are inside your boat or not directly visible in the figure.
- Green arrows indicate emergency exits.
- Filled orange circles refer to designated passenger seats.
- Filled orange area with diagonal lines illustrates the working deck area.

Safety symbols

Warnings and cautions are labeled in accordance with the international ISO and ANSI standards.

DANGER

Indicates an imminently hazardous situation which, if not avoided, will result in death or serious injury.

WARNING

Indicates a potentially hazardous situation which, if not avoided, could result in death or serious injury.

CAUTION

Indicates a potentially hazardous situation which, if not avoided, may result in minor or moderate injury.

NOTICE

Indicates a potential situation which, if not avoided, may result in property damage or in an undesirable result or state.



Gives additional information or calls for attention to the correct use of the product, to the expectations of the user, or to how to avoid error situations.

2 Be safe

A guide on the steps you need to take to ensure you, your crew, and your guests remain safe at all times whenever on board.

2.1 Your responsibilities

Safety is the first step and most important step towards getting maximum pleasure out of your boat. Please familiarize yourself with the contents of this chapter before taking your boat out to sea for the first time.

As the captain of your boat, you have the ultimate responsibility! Not just for yourself, but also for your crew, any guests on board and other seafarers.

WARNING

Neglecting the necessary safety precautions can risk lives.

Take safety seriously. Remember that you as the driver are responsible for the safety for others.

Behave responsibly!

- Make sure you and any other persons who will operate your boat have the necessary boating and navigation skills.
- Check that all persons on board, yourself inclusive, are wearing a life jacket at all times.
- Do not let anyone swim around the boat when the engine is running.
- Load the boat correctly within capacity limits.
- Don't drink and drive.
- Do not climb on the roof or use the engine as a stepping platform.
- Be aware of and make sure you comply with all applicable local laws and regulations.
- Make sure the safety equipment complies with local regulations.
- Take good care of your boat and have it serviced regularly. Don't attempt to perform any major repairs by yourself or make modifications to your boat without consulting your Saxdor dealer first.
- Read this manual and the documentation supplied in the Saxdor documentation bag and heed the warnings and cautions in them.

Be prepared!

- Know your boat and understand the safety limitations set on your boat by capacity and design category.
- Proactively maintain your boat to keep it in good condition. Keep an eye on any signs of wear and tear and have them repaired immediately.
- Familiarize yourself with the location of all safety equipment on board, and check that they are fully functional before setting off.
- Make sure you understand all emergency procedures.

- Also make sure that everyone on board is familiar with the correct use and operation of all safety equipment in the event of an emergency.
- Check the weather conditions and forecast before you set off.
- Plan your route and stopovers, and make sure you have the equipment and facilities needed.

Be aware of risks and know how to act

Boating always comes with certain risks. Make sure you know how to minimize these risks, and be prepared to act in the event something were to happen.

Learn more

- How to be prepared: [2.5 Avoid emergencies](#) on page 13
- How to act in case of emergency: [2.6 Help!](#) on page 16

2.2 Your safety bells and whistles on board

To ensure carefree and safe boating, your boat is equipped with different safety fixtures. Familiarize yourself with them before setting off on your voyage for the first time.



There maybe different or additional requirements for safety equipment in your country. In some countries it is a legal requirement to wear a life jacket.

This kind of additional safety equipment is not Saxdor's responsibility. Also, it is your responsibility to ensure that the equipment complies with local regulations and that these devices are fully functional. If unsure, consult your Saxdor dealer.

Builder's plate

Start with the builder's plate! It contains important safety information, such as maximum load and number of people, which you must abide by at all times.

Safety equipment and emergency exits

Your boat comes with emergency exits, a CO detector and space reserved for additional safety equipment. Your Saxdor dealer will help you get the additional safety equipment required in your country, such as fire extinguishers and smoke detectors.

Before setting off, make sure:

- All safety equipment is fully functional and easily accessible.
- Everyone on board knows where to find the safety equipment and emergency exits.
- Everyone knows how to use the equipment and how to act in an emergency.
- Everyone wears a life jacket, even if not required by law.

Maintain your safety equipment

- Have the fire extinguisher inspected at the intervals indicated on the device or according to the local legislation. Replace the fire extinguisher if it has been expired.
- Test the operation of smoke and CO detectors according to the local legislation.

Safety labels

Your boat is equipped with labels containing important safety information. Make sure:

- You and everyone on board understands the meaning of the safety symbols and the texts on the labels.
- Everyone obeys the instructions on the labels.

Related information

[4.3 Builder's plate](#) on page 34

[4.4.1 Safety equipment](#) on page 35

[4.4.3 Safety labels on board](#) on page 37

2.3 What is builder's plate?

The builder's plate is an ISO certification label and proof of the consistent, high standard of Saxdor yachts.

The builder's plate on your boat is located close to the steering wheel and contains important safety information such as:

- Your boat's design category
- Load capacity (not including fuel)
- Maximum permitted number of persons, engine weight and power

The plate also shows the boat builder's contact details.

WARNING

Not heeding the limitations on the builder's plate can put you and your passengers at risk.

Do not exceed the maximum permitted engine power or number of persons on board.

Respect the conditions set out by the design category of your boat.

Related information

[4.3 Builder's plate](#) on page 34

2.4 What is design category?

Design category is an important element of safe boating! It defines the weather and nautical conditions in which it is safe to operate your boat.

⚠ WARNING

Not respecting the design category limitations of your boat can put you and your passengers at risk.

Do not exceed the maximum permitted engine power or number of persons on board.

Ensure that the anticipated wind and sea conditions correspond to the design category of your boat.

Always make sure your boat and your operating skills match the weather and water conditions where you are going to operate.

Design category conditions are specified using maximum wind speed and maximum significant wave height as measurement. A significant wave height refers to the average height of the highest one third of all waves, visually estimated.

For example, design category C conditions are typically encountered in exposed inland waters, estuaries and coastal areas in moderate weather conditions. Design category B conditions are more severe — typically encountered offshore, but also in coastal areas and larger inland waters where sheltered areas are not readily available.

Table 2.1 - Design category specification

Description	Category A		Category B		Category C		Category D	
Wind force	Beaufort force exceeding 8		Beaufort force 8 or less		Beaufort force 6 or less		Beaufort force 4 or less	
Significant wave height	>4 m	>13 ft	≤4 m	≤13 ft	≤2 m	≤6.6 ft	≤0.3 m	≤1 ft

What is my boat's design category?

Your boat's design category is indicated on the builder's plate. You can also check it from the Technical specification in this manual.



Your boat's design category is C. So please make sure you follow the safety rules, for example:

- For category C conditions, you can have the maximum number of passengers indicated on the builder's plate on board.

2.5 Avoid emergencies

Know what the risks are, act responsibly, and have a plan.

2.5.1 Avoid flooding and capsizing

Don't compromise stability!

Do not worry! Your boat is designed to be very stable and does not get easily flooded.

Also, remember that when boating, it is normal to get water into the boat. To keep your feet nice and dry, and the boat afloat, there are several drainage openings in the hull. Automatic bilge pumps work non-stop to keep the bilge clear of water. A manual pump complements the automatic pump.

However, stability can be compromised by many things such as rough waters, towing, poorly balanced load and too much water in the bilge. Take these steps to maximize stability:



1. Load your boat right.

- Respect the design category limitations on the number of persons on board.
- Make sure everybody on board is seated in the designated seats.
- Do not exceed the maximum allowed load on the builder's plate.
- Make sure all equipment, accessories and luggage items are stowed and will stay securely in place even in rough sea conditions and strong winds.

⚠ WARNING

Any change in the weight distribution may significantly affect the stability, trim and performance of the boat.

When loading the boat, never exceed the maximum recommended load. Always load the boat carefully and distribute loads appropriately to maintain design trim (approximately level). Avoid placing heavy weights high up.

Take into account any modifications that may affect weight distribution, such as a different engine or a fishing tower.

⚠ WARNING

Getting entrapped in the cabin and not having quick access to safety equipment can be fatal in case of flooding.

Never lock or block the access to the emergency exits or safety equipment.

Do not store luggage or other heavy items on top of the front deck hatch.

2. Close doors and hatches while under way.

- Always keep all hatches and storage locker lids closed while under way.
- Keep portlights, windows, washboards, doors and ventilation openings closed in rough weather or at planing speed.

⚠ WARNING

Getting water into the hatches or inside the boat increases the risk of flooding.

Always keep hatches closed when under way.

3. Keep the drain outlets functional and monitor water levels.

- Always keep the drain holes open. The only time you may close them is in a situation where water starts getting into boat during loading.
- Clear the pump inlets from debris if needed.
- If the seacocks are fitted in the front and aft peak bulkheads, keep them closed. You may only open them in order to let water drain into the main bilges.

- If you notice that there is more water than usual in the bilge, or if you get the high bilge water alarm, check your boat for leaks and damage to the hull. Use the manual bilge pump to pump out the excess water.

2.5.2 Move safely on board

To ensure your safety, your boat has designated areas for moving on board and sitting while using the boat.



- Use the working deck area when mooring and leaving the shore.
- Ensure that everyone on board is seated in the designated seating areas during voyage. Do not exceed the maximum allowed number of persons on board.

Related information

[4.4.2 Safe seating and moving areas](#) on page 36

2.5.3 Don't play with fire

Avoid situations that can cause a risk of fire.

Make sure you are familiar with the location of safety equipment and emergency exits on board.

WARNING

Risk of fire or explosion.

Handle open flame and fuel-driven devices with caution.

WARNING

Careless refueling is a fire hazard.

Never fill the fuel tank or handle fuel when the engine is running.

Don't smoke when handling fuel.

To minimize the risk of fire, always take these safety measures:



- Be careful not to damage fuel lines.
- Never store fuel containers or equipment containing fuel in any area not designated for the purpose.
- Never obstruct access to the fuel tank compartment, safety controls, electrical systems, ventilation units, safety equipment or passageways to fire exits and hatches.
- Don't make changes to your boat's electrical, ventilation or fuel systems yourself.
- Never leave the stove or heater unattended or have any free hanging curtains or other fabrics near them.
- Check the bilge regularly to make sure that there are no fuel leaks.
- When replacing safety equipment, make sure it complies with local requirements.

Related information

[4.4.1 Safety equipment](#) on page 35

2.5.4 Consider the carbon monoxide hazard

Carbon monoxide (CO) is an odorless but potentially lethal gas! Be aware of and avoid situations in which there is a risk of CO accumulation.

WARNING

Carbon monoxide (CO) is harmful to your health in higher concentrations, and can even be lethal. Even low concentrations of CO can cause damage with prolonged exposure.

Prevent the accumulation of CO in the first place by minimizing the risk situations.

Act quickly if the CO alarm turns on or if you suspect CO poisoning.

Engine exhausts contain carbon monoxide (CO). High CO concentrations can occur especially when:

- Running the engine in confined spaces in a standstill, for example with the boat close to another vessel or with the engine next to a wall.
- Driving at slow speeds or in a tailwind.
- Driving with the bow high.
- Running the engine with the cabin door open may cause exhaust fumes to enter the cabin.

To prevent CO accumulation:



- Do not rev or idle the engine unnecessarily, for example when mooring or when there are persons in the water.
- Do not block exhaust outlets and inspect the exhaust system regularly.
- Ensure all areas on the boat are kept well ventilated if you're using a diesel heater or any other fuel-burning device.
- Keep the cabin door closed when running the engine.
- Leave enough space between the engine and any obstacle.

Related information

[2.6.4 If you suspect carbon monoxide poisoning](#) on page 18

2.6 Help!

Even though you try to avoid it - emergencies do occur. Being prepared and knowing how to act is the best way to prevent them from getting serious.

⚠ WARNING Trying to cope by yourself too long can quickly escalate an emergency.

In case you cannot handle the situation, always contact rescue service without delay!

2.6.1 What if your boat is flooded?

When boating, it is normal to get some water into the boat. However, if water starts to accumulate, you need to take action.

⚠ WARNING Risk of drowning! The boat can sink or capsize if too much water gets into the boat.

Do not rely solely on the bilge pump system. It is not designed to pump out large amounts of water.



- If you suspect a leak, act quickly.
 - If there is a rapid increase in water accumulation, call rescue service.
 - If you have moderate accumulation of water, reduce the flooding manually. Use the manual pump or a bail.
- Make sure everyone is wearing a life jacket.
- Find out the reason and go ashore as soon as possible.

Related information

[2.5.1 Avoid flooding and capsizing](#) on page 13

[4.4.1 Safety equipment](#) on page 35

[5.4 Draining system](#) on page 52

2.6.2 Man overboard!

If a person has fallen into the water.



- Point the boat directly into the wind.
- Stop the engine if it is running.
- Hand the person a flotation device if they are not wearing one.
- Help the person back on board. You can lower the bathing ladder for the purpose.

⚠ WARNING Risk of injury.

Do not use the outboard engine's cavitation plates for reboarding.

Related information

[4.1.4 Bathing platform](#) on page 29

[5.7.3 Bathing ladder](#) on page 59

2.6.3 Fire!

Don't waste time!



- Turn off power from all the power sources.
- Close the fuel valve.
- Check that everyone is wearing a life jacket.
- Use a fire blanket or fire extinguisher to put out the fire. Do not use water!

⚠ WARNING Risk of explosion.

Never use water to put out fuel fire. If the fire gets in touch with a flammable fuel, water can spread the fire and cause an explosion.

- Don't hesitate to call for help and evacuate the boat if the fire starts spreading.

2.6.4 If you suspect carbon monoxide poisoning

If a person has been exposed to carbon monoxide, act quickly!

⚠ WARNING Carbon monoxide (CO) is harmful to your health in higher concentrations, and can even be lethal. Even low concentrations of CO can cause damage with prolonged exposure.

Prevent the accumulation of CO in the first place by minimizing the risk situations.

Act quickly if the CO alarm turns on or if you suspect CO poisoning.



- If the CO alarm turns on:
 - Turn off the engine(s) and all possible devices.
 - Do not use fire or any electronics.
 - Open all the ventilation hatches and doors.
- If a person shows signs of CO poisoning (headache, dizziness, ringing in the ears, nausea, loss of consciousness):
 - Move the person to a well ventilated area and have them breathe fresh air deeply.
 - If breathing has stopped, call rescue service and resuscitate!

3 You're the captain

In this section of the manual we will help you understand how to operate a boat and how to take control.

This manual is, however, not a course on seamanship or boating safety. For the comfort and safety of both yourself and your crew and guests, please ensure you take a boating and seamanship course, or otherwise gain the handling and operating experience you need, before taking the boat out to sea.

3.1 Get going!

You're raring to go, and so is your boat! But before you set off, ensure that you've gone through all the relevant checks.

- Check the weather forecast. Consider the prevailing wind force, wave profile and visibility. Don't exceed the capabilities of your boat's design category.
- Make sure you and your crew have the necessary boating and navigation skills. Agree on the duties for each person before approaching and leaving the shore.
- Make sure you load your boat right. Ensure that your load, including the number of passengers, does not exceed the maximum limit of your design category.
- Check you have all the necessary equipment such as life jackets for all passengers, mooring lines, fenders, functional safety equipment and a compass. Have a print copy of your charts covering a sufficiently large area.
- Refuel the boat and make sure you use the right type of fuel. Check the engine manual, if in doubt.
- Inspect the engine as specified in the engine manual.
- Be prepared for unexpected situations with extra fuel and provisions. Not to forget spare batteries for equipment like phones and flashlight.
- Check that all the critical equipment such as the steering system, navigation lights, horn and bilge pumps are functional.
- Check that the seacocks are open, hatches closed, and bilge clear of water and fuel.
- Ensure sufficient ventilation of the fuel compartments to reduce the risk of fire. Make sure ventilation channels are unobstructed.
- Make sure you know and obey the right-of-way rule and other navigation rules defined in the International Regulations for Preventing Collisions at sea (COLREG).



When filling the fuel and fresh water tanks, remember that you may not be able to fill up the tanks all the way if the boat is not level due to the trim or an uneven load trim. Therefore, always keep an extra 20% reserve.

Related information

[2.1 Your responsibilities](#) on page 10

[2.4 What is design category? on page 12](#)

[2.5.1 Avoid flooding and capsizing on page 13](#)

3.2 Driving and steering

All aboard? Check out these tips and get cruising!

3.2.1 Get to know how your boat handles

Your boat has its own unique behavior. Learn to know her before entering crowded waters or docks.

Maneuvering the boat

- First practice controlling your boat in open and protected water with enough space.
- Learn how your boat responds to wind, waves and currents from different directions.
- Avoid sudden maneuvers at speed.
- Always be certain you have sufficient distance to stop or maneuver if required to avoid collisions.
- When approaching or leaving the shore, apply the throttle in sharp and short doses to make your steering maneuvers efficient. Avoid sudden steering movements and make sure that all crew members not required to assist in the docking remain seated.
- Practice trimming until you are comfortable using it.
- If you have a twin engine model, practice docking and other behaviors specific to twin engines.
- If you are the driver and must leave the helm station, make sure to shift the engine into neutral.

Using the engine throttle and shift control

- Start the engine(s) and attach the lanyard stop switch cord to yourself.
- Shift to forward or reverse as necessary to get out of the dock.
- When you leave the dock, maneuver and gradually add speed as necessary.
- Always stop at the neutral position and allow the engine idle speed to stabilize before you shift into another gear. Shift into gear with a quick motion.
- Push the control handle gently forward or back until you reach the desired speed.
- Gently pull the control handle back to neutral position when you want to slow down.
- Learn how to trim the boat with the throttle and shift control.

NOTICE

Risk of severe engine damage! Shifting the engine into reverse at forward speeds higher than idling speed could cause the engine to stall and allow water to enter the engine's cylinders.

Drop the speed to idling speed before you shift into reverse.

Related information

[3.2.3 Got the attitude? About trimming your boat](#) on page 21

[3.2.5 Take it up a notch or a few](#) on page 22

[5.2.1.1 Starting the engine](#) on page 50

3.2.2 What is lanyard stop switch?

Don't want your boat to ride without a driver? The lanyard stop switch comes to the rescue.

The lanyard stop switch shuts down the engine if the driver moves too far from the helm station, or falls overboard. The switch with the lanyard is located at the helm station.



The switch doesn't work if the driver is not hooked onto it!

- Always attach the lanyard to yourself immediately after having released the mooring lines.
- Don't forget to release the lanyard when docking so that the engine doesn't stop unintentionally.

Check the engine manufacturer's manual for more details about using the lanyard stop switch.



You may have an option for a wireless lanyard stop switch. If you have this feature, you may use it instead of the fixed lanyard stop switch.

Related information

[4.2.1 Helm station controls](#) on page 31

3.2.3 Got the attitude? About trimming your boat

Learn how to trim your boat in order to ensure a smooth cruise and optimal performance.

The trim, or attitude, of your boat is its running angle as it makes way in the water. Running in the wrong trim angle gives you a bumpy ride and loads the engine unnecessarily. Learn how to:

- Adjust the boat's vertical running angle (raise or lower the bow) when getting to planing speed or changing speeds.
- Play with your trim until you find the most comfortable ride while cruising.
- Adjust the boat's heel (lateral angle) when travelling in a crosswind or with an unbalanced load.

You can trim your boat from the trim tabs control at the helm station. By using the trim tabs you can adjust:

- The boat's vertical running angle.
- The boat's heel.

You can also trim your boat's vertical angle using the engine throttle and shift control. Trimming changes the propeller shaft angle, which causes the bow to move up or down.

⚠ WARNING

Poor trimming can risk lives! Adjusting the trim angle at high speeds may radically affect your boat's behavior. A high running trim can obstruct the view so you may not notice swimmers and small vessels.

Avoid making adjustments at high speeds.

Don't drive with the bow high for long periods of time. Trim the boat's vertical angle to lower the attitude in congested areas.

See the trim tab manufacturer's manual for detailed instructions on how to use the trim tabs.

See also the engine manufacturer's manual.

Related information

[4.2.1 Helm station controls](#) on page 31

[5.2 Engine and steering system](#) on page 49

3.2.4 See where you're going

To avoid any unexpected dangerous situations, ensure you are always able to see where you are going and what is happening around your boat.

- Make sure nobody or nothing is blocking the view from the helm station.
- Be aware that a high running trim can obstruct the view so you may not notice swimmers and small vessels. Don't drive with the bow high for long periods of time and trim the boat to lower the attitude in congested areas.
- Turn on the navigation lights when it is dark or the visibility is poor.
- Find out beforehand how the windshield wiper works.

3.2.5 Take it up a notch or a few

Despite your Saxdor boat's wow performance, you will resist the urge to show off driving at full speed — being the responsible person you are.

⚠ WARNING

Overcorrecting, dropping the speed suddenly or hitting the waves at a wrong angle when driving at high speeds can have serious consequences.

Do not exceed your boating capabilities. Drive at speeds you are comfortable with. Avoid sudden maneuvers.

Always use the lanyard stop switch.

Respect the boat's and your own limits

- The faster you drive your boat, the less of it is connected to the water, and this means the boat feels more responsive to even your small adjustments. At high speed you have less control over your boat at the beginning of a turn.
- Be careful with trimming at high speeds. Don't drive with the bow down.
- When driving in planing mode the boat lifts off the water surface and the air draft increases. Reduce speed when driving under low obstacles such as bridges.
- Do not drive at maximum speed while in congested high traffic waterways, high winds, large waves or when visibility is reduced.
- Do not exceed the maximum recommended engine power shown on the builder's plate and in Technical specifications.
- Secure loose equipment safely when underway.

Be considerate

- Reduce your speed and wake as a courtesy and as a safety consideration to yourself and others.
- Observe and obey the speed limits.
- Respect no wake zones to protect the environment.

3.3 Mooring, towing and anchoring

Check here for tips about mooring, towing and anchoring.

Practice the techniques

- Practice mooring in calm weather, and use large enough fenders.
- Always tow or be towed at a slow speed. Never exceed the hull speed of a displacement boat when being towed.
- When anchoring, make sure you anchor far enough from the shore, and a sufficiently long rope to get a good hold.
- Always lift and secure the anchor when you are not using it.

Strong points for attachment

Your boat has several cleats to be used as strong points for mooring, towing and anchoring.

- When you tow another boat, use the aft cleats.
- When your boat is towed, use the bow cleats.



Some boat models have a separate towing plate in the bow, which you can also use for towing your boat.

- Always use at least two cleats and big enough fenders when mooring at a dock to prevent the boat from moving and scraping against other boats or structures onshore.
- Do not exceed the breaking strength of the strong points. See Technical specification for details.

Mooring, anchoring and towing lines

- Ensure that mooring lines, towing lines, anchor chains, anchor lines and anchors are adequate for the boat's intended use. The lines or chains must not exceed 80 % of the breaking strength of the respective strong point. Preferably, use the towing and mooring lines provided in the mooring package of your boat. If you are unsure what kind of equipment to use, contact your Saxdor dealer.
- Always attach the lines so that they can be released when under load.
- Make sure your mooring lines and fenders are ready at hand for docking.
- Make sure the lines and chains don't get tangled in the propeller.

Related information

[4.5.1 Attachment points](#) on page 41

3.4 Lifting and trailering

Treat your boat well even on land.

You and your boat would rather be on the water, but sometimes you need to lift and transport your boat for maintenance, out-of-the-season storage, or to another location.

It is recommended you use a professional service, unless you're skilled enough and have the right type of equipment for the task.

Lifting

CAUTION

The boat may tip or the lifting straps may slide during lifting if the straps are not attached properly or if the loads move and disturb the balance of the boat.

Empty the bilge and waste water tanks and remove any unnecessary load from the boat.

Do not hook the boat through the aft wings as the straps may slide away.

- Lift the boat only from the recommended lifting points.
- Always use spreader bars when lifting the boat. They distribute the weight of the boat over the two lifting points. Make sure the spreader bars are long enough to protect the hull and side terraces from damage.

Trailing

⚠ CAUTION

Trailing a large load can be a traffic hazard.

Use a trailer that is suitable for the boat.

Do not exceed the trailer capacity.

Secure the boat and the trailer properly.

- Make sure to remain within the limits of the maximum mass indicated in Technical specification (m_T).
- Make sure your vehicle is powerful enough and you know how to maneuver the trailer.
- Use the cleats in the bow of your boat to pull your boat onto a trailer.
- Attach the boat to the trailer from all cleats of your boat.

Related information

[4.5.2 Lifting points](#) on page 42

4 The what and where of your boat

Here you can see the overall layout, the equipment and the features of your boat in pictures.



The following images describe the options available for this boat model. The configuration on your boat may vary depending on the equipment you have selected, and some of the options may not be available in your region.

4.1 General boat layout

Get an overview of the general layout of your boat and become familiar with the different compartments.

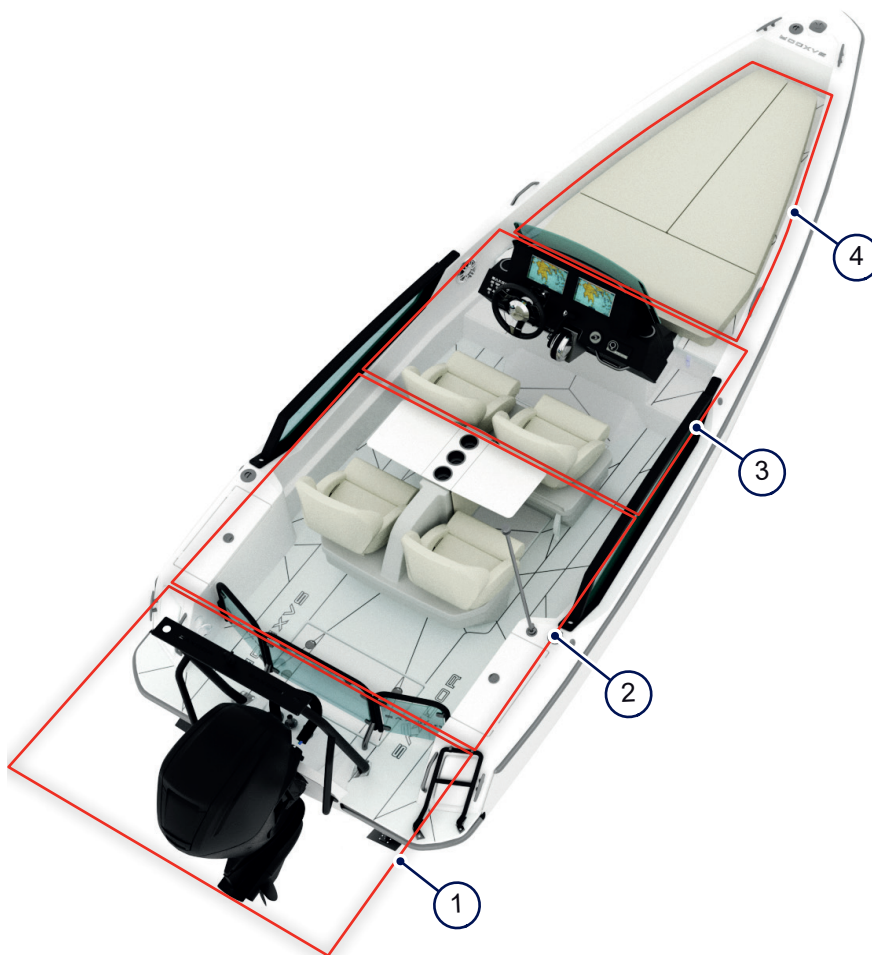


Figure 4.1 - General boat layout

- | | | | |
|---|------------------|---|----------|
| 1 | Bathing platform | 3 | Cockpit |
| 2 | Aft deck | 4 | Foredeck |

4.1.1 Foredeck

See here what you can find on the foredeck.

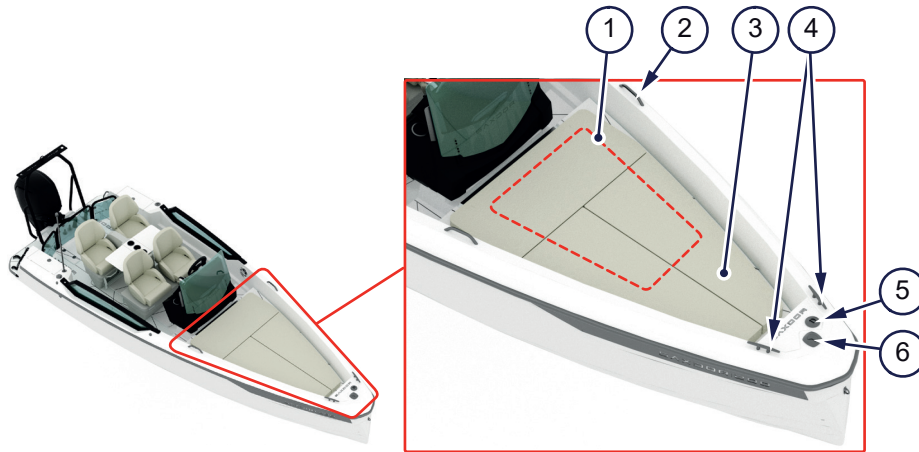


Figure 4.2 - Foredeck

- | | | | |
|---|--|---|------------------------------|
| 1 | Toilet compartment (under the sun bed) | 4 | Bow cleats |
| 2 | Grab handles (both sides of the boat) | 5 | Waste water discharge outlet |
| 3 | Sun bed | 6 | Navigation light |

4.1.2 Cockpit

See here what you can find in the cockpit.

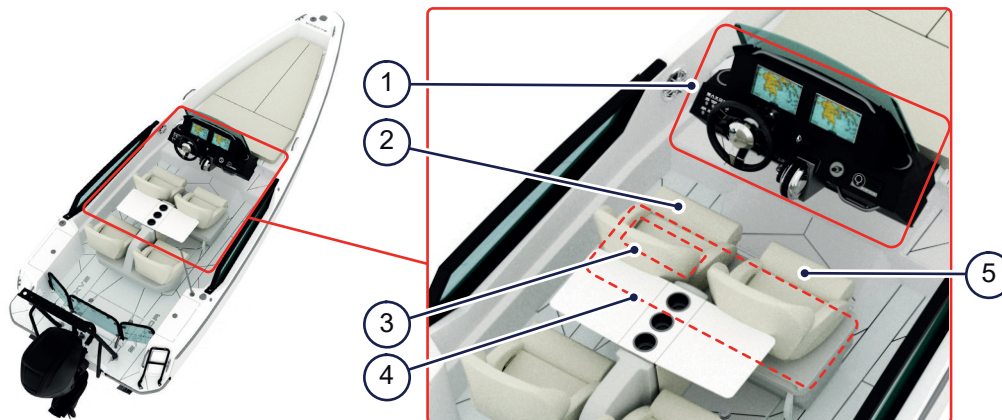


Figure 4.3 - Cockpit

- | | | | |
|---|---|---|--------------------------------|
| 1 | Helm station | 4 | Storage under the swivel seats |
| 2 | Driver's swivel seat | 5 | Passenger's swivel seat |
| 3 | Fire extinguisher under the driver's seat | | |

4.1.3 Aft deck

See here what you can find on the aft deck.

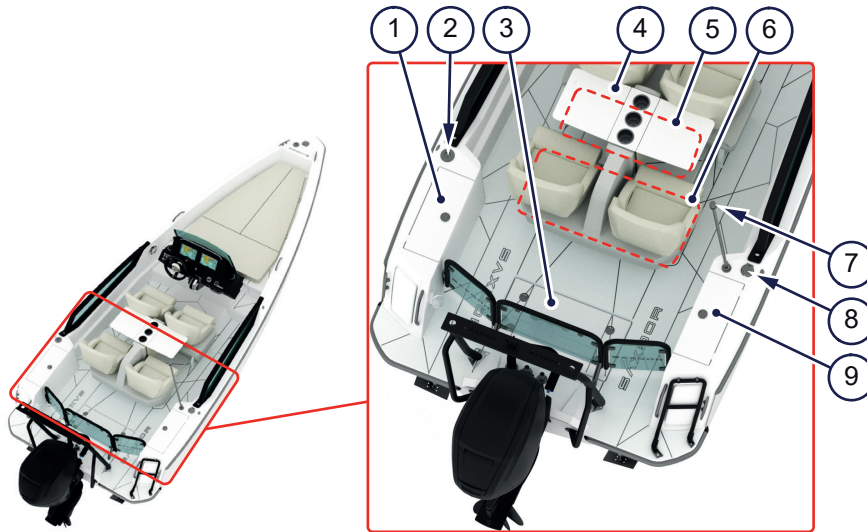


Figure 4.4 - Aft deck

- | | | | |
|---|---|---|--|
| 1 | Port side hatch (main switch panel and storage) | 6 | Aft deck seating and storage (under the seats) |
| 2 | Fresh water filling inlet | 7 | Anchoring light |
| 3 | Aft technical compartment | 8 | Gasoline filling inlet |
| 4 | Folding table, manual lifting and lowering | 9 | Starboard aft hatch (storage) |
| 5 | Extra seats under the table | | |

4.1.4 Bathing platform

See here what you can find on the bathing platform.

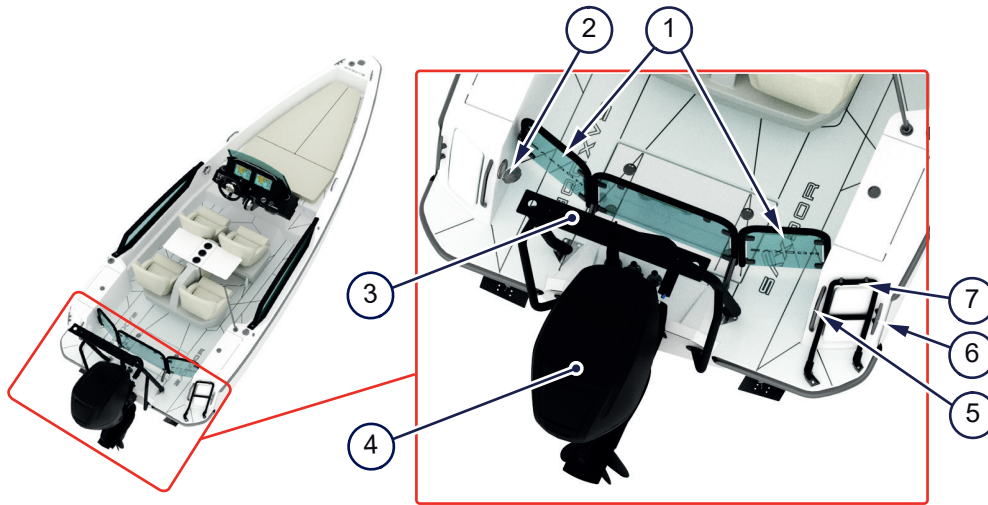


Figure 4.5 - Bathing platform

- | | | | |
|---|-------------------------|---|---|
| 1 | Transom gates | 5 | Grab handles (both sides of the boat for safe boarding) |
| 2 | Fresh water shower | 6 | Aft cleats (both sides of the boat) |
| 3 | Water ski mounting rack | 7 | Bathing ladder |
| 4 | Engine | | |

4.2 User controls

See here the location of the different user controls on your boat.

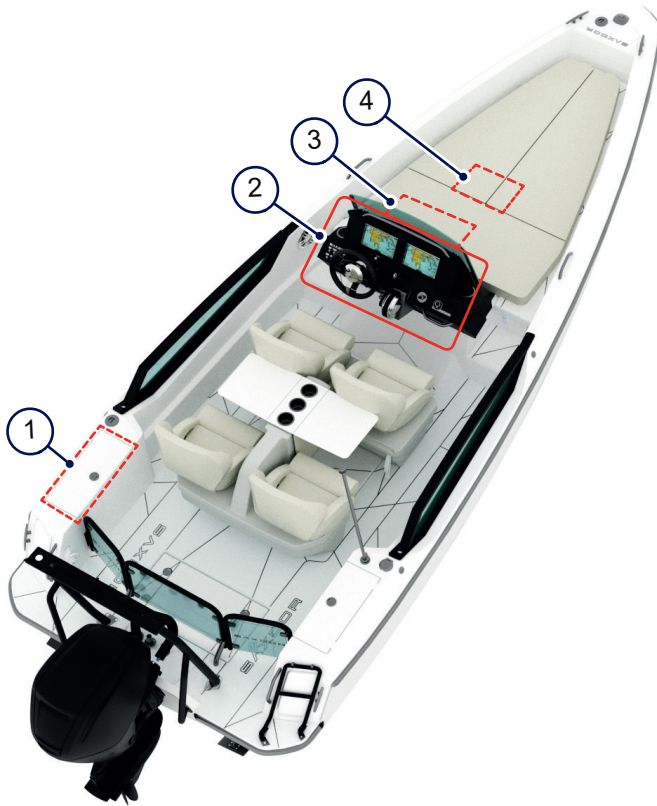


Figure 4.6 - User controls

- | | | | |
|---|---------------------------|---|----------------------------------|
| 1 | Battery main switch panel | 3 | Fuse panel |
| 2 | Helm station controls | 4 | Toilet compartment control panel |

4.2.1 Helm station controls

Get a quick overview of the locations and names of different controls at the helm station. Drill deeper into the functions available for each control unit in the following sections.



Figure 4.7 - Helm station controls

- | | | | |
|----|--|----|-----------------------------------|
| 1 | Navigation light | 11 | Steering wheel |
| 2 | Anchoring light | 12 | Chartplotter |
| 3 | Roof lighting | 13 | Document pocket |
| 4 | Deck lighting | 14 | Ignition key switch |
| 5 | Bilge pump 1 | 15 | Engine throttle and shift control |
| 6 | Bilge pump 2 | 16 | USB port |
| 7 | Horn | 17 | Joystick for trim tabs |
| 8 | Spare control button for extra equipment | 18 | Audio control panel |
| 9 | Lanyard stop switch | 19 | Speakers |
| 10 | Extendable windshield and latches | | |

Learn more

- How to use the engine controls, lanyard stop switch and how to trim your boat: [3.2 Driving and steering on page 20](#)

Related information

[5.2 Engine and steering system on page 49](#)

[5.1.3 Batteries on page 48](#)

[5.6 Navigation equipment on page 56](#)

[5.7.5 Lighting and audio on page 60](#)

4.2.2 Toilet compartment control panel

You can operate the toilet from the toilet compartment control panel.



Figure 4.8 - Toilet compartment control panel

- 1 Toilet flush button

Related information

[5.5 Fresh and waste water systems on page 54](#)

4.2.3 Main switch and fuse panels

Check here the location and the presentation of the different fuses and switches on the main switch panel and on the fuse panel on your boat.

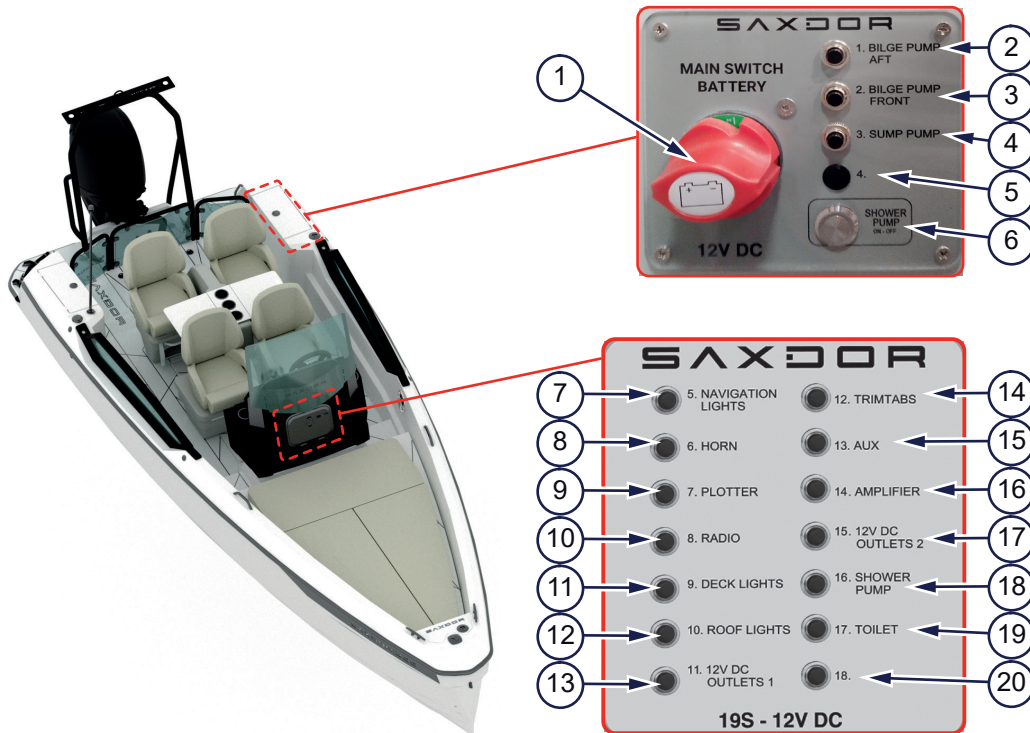


Figure 4.9 - Main switch panel and fuse panel

- | | | | |
|----|-------------------------------|----|--------------------------------|
| 1 | Battery main switch | 11 | Deck lights fuse |
| 2 | Fuse for the aft bilge pump | 12 | Roof lights fuse |
| 3 | Fuse for the bow bilge pump | 13 | 12 V Power outlets fuse |
| 4 | Fuse for the waste water pump | 14 | Trim tabs fuse |
| 5 | Spare fuse location | 15 | Spare fuse for extra equipment |
| 6 | Fresh water pump button | 16 | Amplifier fuse |
| 7 | Navigation lights fuse | 17 | 12 V Power outlets fuse |
| 8 | Horn fuse | 18 | Fresh water pump fuse |
| 9 | Chartplotter fuse | 19 | Toilet pump fuse |
| 10 | Radio fuse | 20 | Spare fuse location |

Related information

[5.1.2 Fuses](#) on page 47

4.3 Builder's plate

Check here the location and details on the builder's plate on your boat.



Figure 4.10 - Builder's plate



The maximum load indicated on the plate does not include fuel.

Learn more

- About the purpose of the builder's plate: [2.3 What is builder's plate?](#) on page 12

4.4 Safety on board

Check here the basic safety features on your boat.

4.4.1 Safety equipment

Check here the location of your boat's safety equipment.



Figure 4.11 - Safety equipment

- 1 Recommended location for the fire extinguisher (under the driver's seat)

4.4.2 Safe seating and moving areas

Check here the location of the seating and working deck areas.

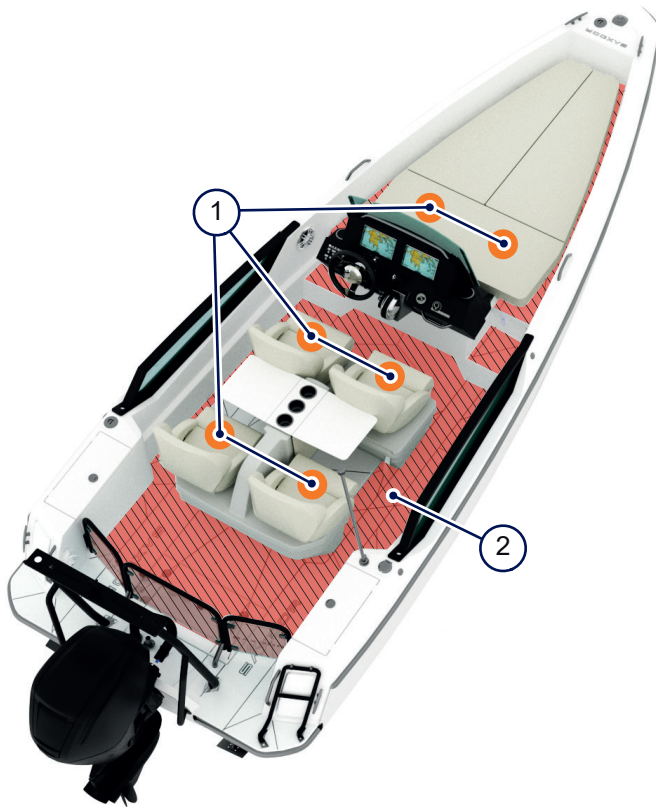


Figure 4.12 - Safe seating and moving areas

- 1 Allowed seating in design category C conditions
- 2 Working deck area

Learn more

- Limitations on the number of people on board: [2.4 What is design category?](#) on page 12
- Using the designated areas: [2.5.2 Move safely on board](#) on page 15
- How to recover people from the water: [2.6.2 Man overboard!](#) on page 17

4.4.3 Safety labels on board

The safety labels on your boat emphasize the important safety precautions to which every crew member must pay attention. Check here what safety labels there are on your boat and where they are located.

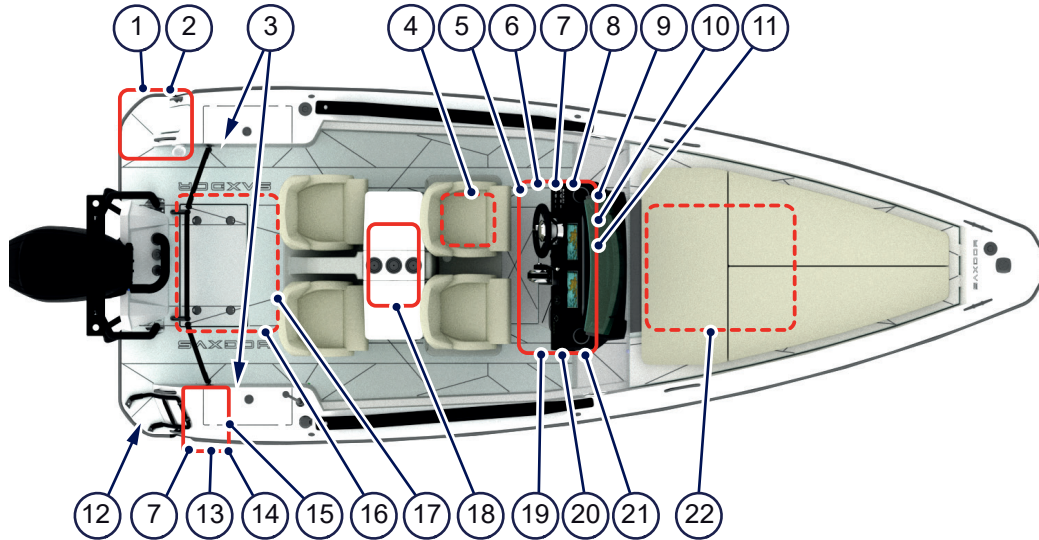

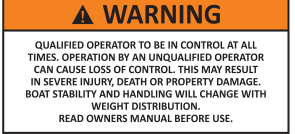
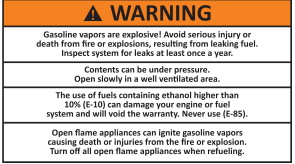
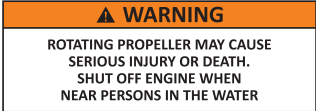
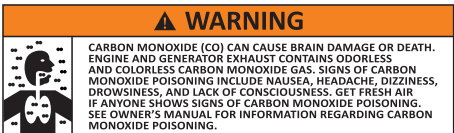




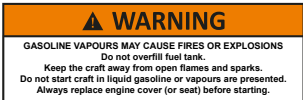
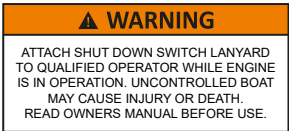
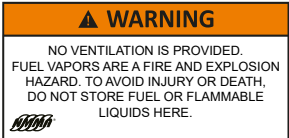



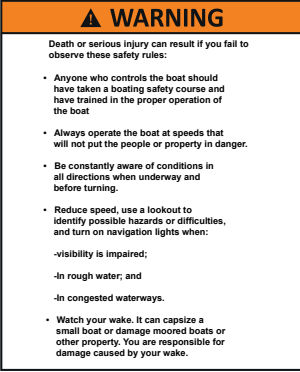
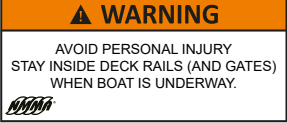

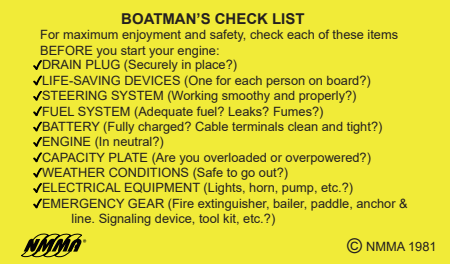


Figure 4.13 - Location of safety labels on your boat

Table 4.1 - Safety labels on board

Number	Label	Clarification
1		<p>DANGER</p> <p>Carbon monoxide (CO) can cause brain damage or death. Engine and generator exhaust contains odorless carbon monoxide gas. Carbon monoxide will be around the back of the boat when engines or generators are running. Move to fresh air if you feel nausea, headache, dizziness or drowsiness.</p>
2		<p>WARNING</p> <p>The water in the fresh water system is non-potable. Do not drink it.</p>
3		<p>Warning</p> <p>Keep the transom gate shut when underway. If the gate is open, serious injury may result from falling into water and near the propeller.</p>
4		<p>Indicates the location of a fire extinguisher.</p>

Number	Label	Clarification
5		<p>WARNING</p> <p>Use the Throttle Only button to avoid unintended gear engagement when the captain is not at the helm.</p>
6		<p>WARNING</p> <p>A qualified operator must be in control at all times. Operation by an unqualified operator can cause loss of control. This may result in severe injury, death or property damage. Boat stability and handling will change with weight distribution. Read the owner's manual before use.</p>
7		<p>WARNING</p> <p>Gasoline vapors are explosive! Avoid serious injury or death from fire or explosions, resulting from leaking fuel. Inspect the system for leaks at least once a year.</p> <p>The contents can be under pressure. Open slowly in a well ventilated area.</p> <p>The use of fuels containing ethanol higher than 10% (E-10) can damage your engine or fuel system and will void the warranty. Never use (E-85).</p> <p>Open flame appliances can ignite gasoline vapors, causing death or injuries from fire or explosion. Turn off all open flame appliances when refueling.</p>
8		<p>WARNING</p> <p>A rotating propeller may cause a serious injury or death. Shut off the engine when there are people in the water near the boat.</p>
9		<p>WARNING</p> <p>Carbon monoxide (CO) can cause brain damage or death. Engine and generator exhaust contains odorless and colorless carbon monoxide gas. Signs of carbon monoxide poisoning include nausea, headache, dizziness, drowsiness, and lack of consciousness. Get fresh air if anyone shows signs of carbon monoxide poisoning. See the owner's manual for information regarding carbon monoxide poisoning.</p>
10		<p>WARNING</p> <p>Use caution when a skier is in tow as the tow rope may backlash into the cockpit when released.</p>
11		<p>Label indicating the certification by the International Marine Certification Institute (IMCI)</p>

Number	Label	Clarification
12		<p>WARNING</p> <p>A rotating propeller may cause a serious injury or death. Do not reboard the boat when the engine is running.</p>
13		<p>Warning</p> <p>Leaking fuel can cause fire or explosion which may lead to serious injury or death.</p>
14		<p>WARNING</p> <p>Gasoline vapors may cause fires or explosions. Do not overfill the fuel tank. Keep the boat away from flames and sparks. Do not start the engine if liquid gasoline or vapors are present. Always replace the engine cover (or seat) before starting.</p>
15		<p>WARNING</p> <p>Attach the shut down switch lanyard to a qualified operator while the engine is in operation. An uncontrolled boat may cause injury or death. Read the owner's manual before use.</p>
16		<p>WARNING</p> <p>No ventilation is provided. The fuel vapors are a fire and explosion hazard. To avoid injury or death, do not store fuel or flammable liquids here.</p>
17	<p>WARNING</p> <p>WATERTIGHT CLOSURE KEEP SHUT WHEN UNDER WAY</p>	<p>WARNING</p> <p>A watertight closure.</p> <p>Keep the closure shut when the boat is underway</p>
18		<p>Indicates the 15 kg / 33.1 lbs weight limitation on the table top.</p>

Number	Label	Clarification
19	 <p>▲ WARNING</p> <p>Death or serious injury can result if you fail to observe these safety rules:</p> <ul style="list-style-type: none"> • Anyone who controls the boat should have taken a boating safety course and have trained in the proper operation of the boat • Always operate the boat at speeds that will not put the people or property in danger. • Be constantly aware of conditions in all directions when underway and before turning. • Reduce speed, use a lookout to identify possible hazards or difficulties, and turn on navigation lights when: <ul style="list-style-type: none"> -visibility is impaired; -in rough water; and -in congested waterways. • Watch your wake. It can capsize a small boat or damage moored boats or other property. You are responsible for damage caused by your wake. 	<p>Warning</p> <p>Failure to observe these safety rules may cause death or serious injury.</p> <ul style="list-style-type: none"> • Anyone who controls the boat should take a boating safety course and make sure the people who operate the boat have the appropriate training. • Always operate the boat at speeds that do not put people or property in danger. • Always be aware of the conditions and traffic in all directions when underway and when turning. • Reduce speed, use a lookout to identify possible hazards or difficulties, and turn on navigation lights when: <ul style="list-style-type: none"> ◦ Visibility is impaired ◦ In rough water or wind ◦ In congested waterways • Watch out for your wake. Your wake can capsize a small boat or damage moored boats and other property. You are responsible for the damage caused by your wake.
20	 <p>▲ WARNING</p> <p>AVOID PERSONAL INJURY STAY INSIDE DECK RAILS (AND GATES) WHEN BOAT IS UNDERWAY.</p> 	<p>WARNING</p> <p>Avoid personal injury.</p> <p>Stay inside the deck rails (and gates) when the boat is underway.</p>
21	 <p>BOATMAN'S CHECKLIST</p> <p>For maximum enjoyment and safety, check each of these items BEFORE you start your engine:</p> <ul style="list-style-type: none"> ✓DRAIN PLUG (Securely in place?) ✓LIFE-SAVING DEVICES (One for each person on board?) ✓STEERING SYSTEM (Working smoothly and properly?) ✓FUEL SYSTEM (Adequate fuel? Leaks? Fumes?) ✓BATTERY (Fully charged? Cable terminals clean and tight?) ✓ENGINE (In neutral?) ✓CAPACITY PLATE (Are you overloaded or overpowered?) ✓WEATHER CONDITIONS (Safe to go out?) ✓ELECTRICAL EQUIPMENT (Lights, horn, pump, etc.?) ✓EMERGENCY GEAR (Fire extinguisher, bailer, paddle, anchor & line, signaling device, tool kit, etc.?)  <p>© NMMMA 1981</p>	<p>BOATMAN'S CHECKLIST</p> <p>For maximum safety and enjoyment, check each of the items listed on the label BEFORE you start your engine:</p> <ul style="list-style-type: none"> • DRAIN PLUGS (Securely in place?) • LIFE-SAVING DEVICES (One for every person on board?) • STEERING SYSTEM (Working smoothly and properly?) • FUEL SYSTEM (Adequate fuel? Leaks? Fumes?) • BATTERY (Fully charged? Cable terminals clean and tight?) • ENGINE (In neutral?) • CAPACITY PLATE (Are you overloaded or overpowered?) • WEATHER CONDITIONS (Safe to go out?) • ELECTRICAL EQUIPMENT (Lights, horn, pump, etc. work OK?) • EMERGENCY GEAR (Fire extinguisher, bailer, paddle, anchor & line, signaling device, tool kit, etc. OK and available on board?)
22	 <p>TOILET INLET SHUTOFF VALVE</p>	<p>Indicates the location and function of the toilet inlet shut-off valve.</p>

Check the equipment manufacturers' manuals for more information about safety precautions.

4.5 Hull and deck

See here the features and equipment on the hull and deck.

4.5.1 Attachment points

Check here your boat's attachment points for mooring, towing and attaching onto a trailer.



Figure 4.14 - Attachment points

- | | | | |
|---|------------|---|---|
| 1 | Aft cleats | 4 | Fender cleat mountings (both sides of the boat) |
| 2 | Bow cleats | 5 | Fender cleat |
| 3 | Bow eye | 6 | Fender |

When mooring, you can attach the fenders to your boat with the help of removable fender cleats. The fender cleats prevent the fender ropes from scraping against the hull of your boat.

⚠ CAUTION

Risk of injury to people, risk of damage to your boat or other vessels.

The protruding fender cleats may collide with people or other boats when driving.

Remove the fender cleats before you drive.

Learn more

- About how to use the cleats: [3.3 Mooring, towing and anchoring](#) on page 23

4.5.2 Lifting points

Check here the approximate locations for the lifting points of your boat as measured from the end of the keel in the aft of your boat.

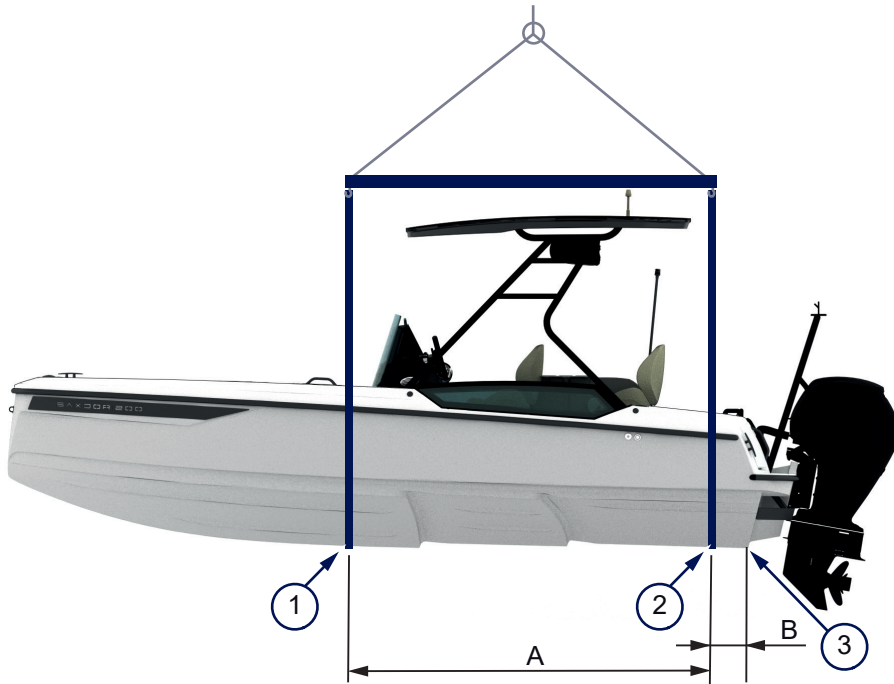


Figure 4.15 - Lifting points

- 1 Lifting point in the bow
- 2 Lifting point in the aft
- 3 Measuring point in the end of the keel

Table 4.2 - Lifting point locations

Dimension	Description	Value	
A	Minimum distance between the bow and aft lifting points	2.74 m	8.99 ft
B	Minimum distance from the measuring point in the end of the keel to the lifting point in the aft	0.24 m	0.79 ft

Learn more

- How to lift your boat: [3.4 Lifting and trailering](#) on page 24

4.5.3 Hull openings

Your boat has a number of openings through the hull. Check here their locations and their purpose.

The hull openings serve as drains leading excess water away from your boat and as vents for the water system and different tanks on your boat. It is important to keep the hull openings open and clean from debris and dirt.



Figure 4.16 - Hull openings

- | | | | |
|---|---------------------------------|---|---------------------------------|
| 1 | Aft bilge pump draining opening | 4 | Bow bilge pump draining opening |
| 2 | Fresh water tank vent | 5 | Black water tank vent |
| 3 | Gasoline fuel tank vent | | |

4.5.4 Hatches

The hatches provide you access to the equipment and systems on your boat. The aft hatches serve also as storage space.

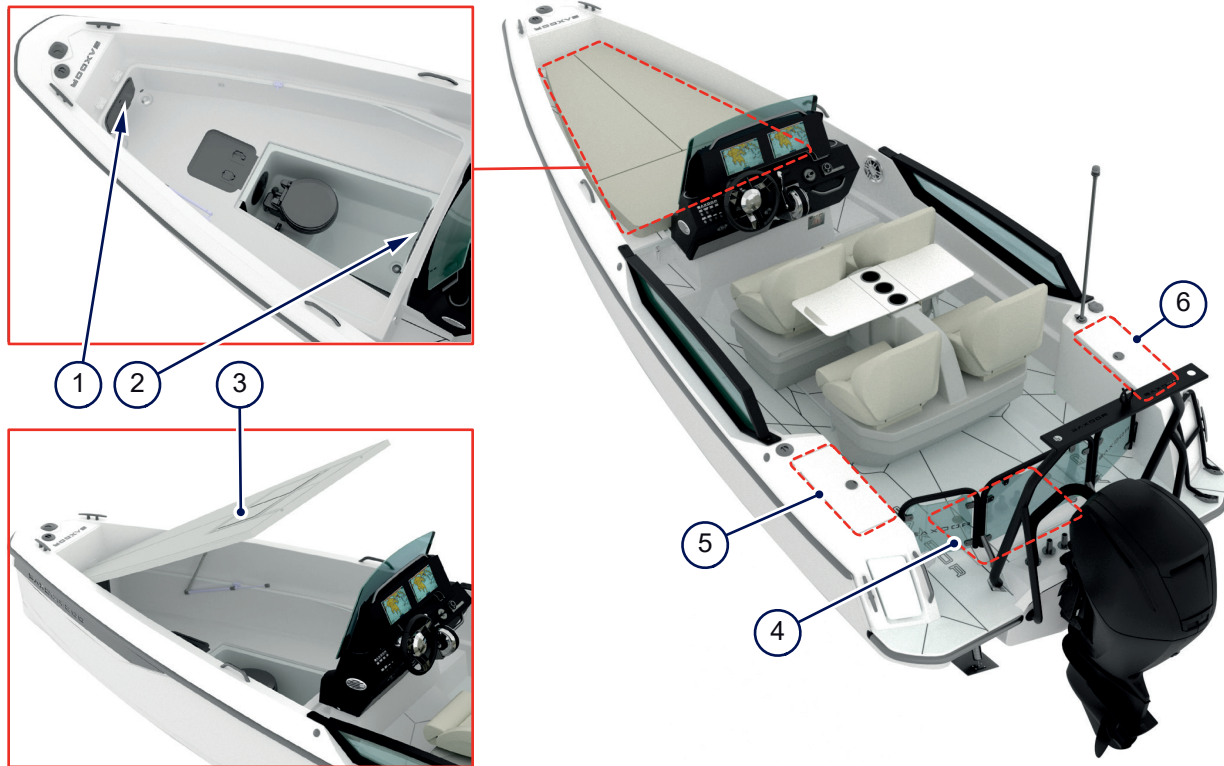


Figure 4.17 - Hatches

- | | | | |
|---|----------------|---|---------------------------------|
| 1 | Bow hatch | 4 | Aft technical compartment hatch |
| 2 | Console hatch | 5 | Port side aft hatch |
| 3 | Foredeck hatch | 6 | Starboard side aft hatch |

Related information

[5.1 Electrical system](#) on page 45

5 The how of your boat

Learn here how the different systems on your boat work and how to use them.

If you need more detailed, step-by-step instructions in using the equipment, refer to the equipment manufacturer's manuals provided in the Saxdor documentation bag.

5.1 Electrical system

The electrical system of your boat is powered by the battery which is charged by the engine. The electrical system covers your power needs onshore and offshore.

⚠ DANGER

Risk of electric shock, fire or explosion.

Remember that water and electricity are a bad combination.

Let only a competent marine electrical technician carry out any installation, alteration or maintenance work to the electrical system.

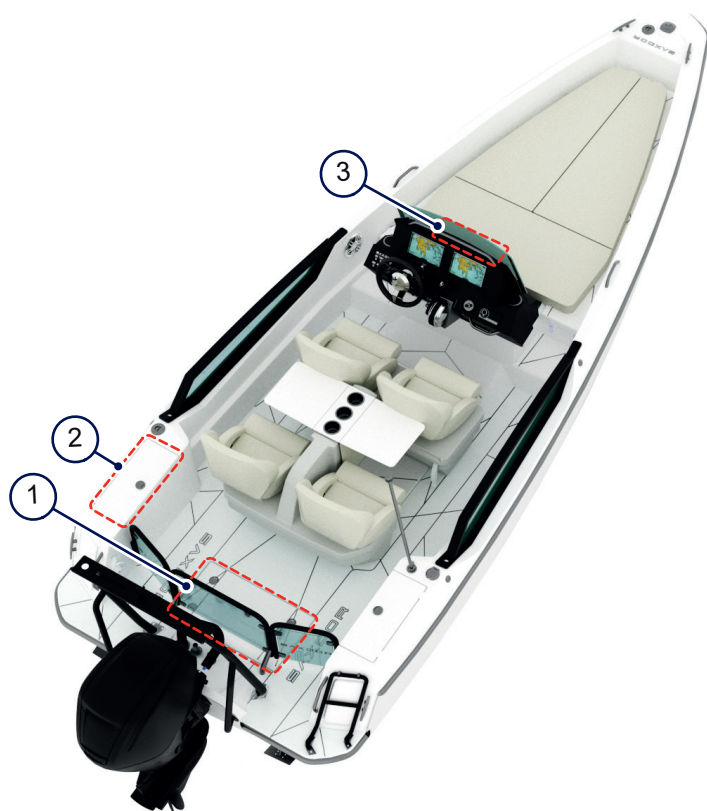


Figure 5.1 - Electrical system

- | | | | |
|---|---------------------------|---|------------|
| 1 | Engine battery | 3 | Fuse panel |
| 2 | Battery main switch panel | | |

Related information

[4.2.3 Main switch and fuse panels](#) on page 33

5.1.1 Main switch

The battery main switch is located on the main switch panel of your boat. The main switch cuts off the power supply from the battery to the engine and to the electrical equipment on your boat.

When you leave your boat unattended, it is a good idea to switch off the battery power to save the battery capacity. Switching power off also prevents the accidental starting of the engine or use of the electrical equipment when you are away.

However, the priority equipment on your boat stay operational even when you switch the power off. The priority equipment consists of the bilge pumps and the grey water pump.

When you return to your boat, switch the power on again.

Related information

[4.2.3 Main switch and fuse panels](#) on page 33

5.1.1.1 Switching power on and off

To save battery power and for safety reasons, always switch the power off when you leave your boat unattended and switch the power on when you return.

CAUTION

Risk of electric shock.

Do not touch the batteries or electric connections.



To keep the boat afloat and to prevent grey water spillage, the priority equipment (bilge pump and grey water pump) keep on operating even when you switch the power off.



- When you leave the boat, switch off the power from the battery main switch on the main switch panel. The switch cuts off the power supply to the engine and to the electrical equipment on your boat.
- When you return to the boat, switch on the power from the battery main switch.

Related information

[4.2.3 Main switch and fuse panels](#) on page 33

5.1.2 Fuses

The fuses for the 12 V battery power are located on the fuse panel and on the main switch panel.

NOTICE

Risk of short circuit, overcurrent and damage to the equipment.

Make sure the amperage of the connected appliances does not exceed the amperage marked on the fuse.

Make sure the equipment and appliances on your boat are intact and properly connected.

- The fuse panel contains a major portion of the 12 V fuses that are connected to the different equipment and functions on your boat, such as lights, fresh water pumps and chartplotter.
- The main switch panel contains fuses that are connected to the priority equipment (the bilge pumps) on your boat.

Related information

[4.2.3 Main switch and fuse panels](#) on page 33

5.1.2.1 Resetting tripped fuses

Check here how to reset the 12 V fuses on your boat.

⚠ CAUTION Risk of electric shock or damage to the equipment.
Before you reset the fuse, find out why it has tripped.



1. Check which fuse buttons are up to indicate that the fuse is tripped.
2. Press the fuse button down to reset the fuse.
3. Check that the equipment or appliances connected to the fuse work properly.
If the problem persists, contact a qualified nautical electrician.

Related information

[4.2.3 Main switch and fuse panels](#) on page 33

5.1.3 Batteries

The battery on your boat gives 12 V current to power up the engine, the lights and the electrical equipment on your boat.

⚠ WARNING Risk of electric shock, battery overheating, explosion, fire or harmful gases.
Do not block the battery ventilation.

The battery is located in the aft technical compartment.

The battery main switch is located on the main switch panel.

Check the battery manufacturer's manual for more details/information about the battery and its maintenance.

Related information

[4.2.3 Main switch and fuse panels](#) on page 33

[5.1 Electrical system](#) on page 45

5.1.3.1 Charging batteries

The battery charges automatically when your boat's engine is running.

⚠ WARNING Risk of electric shock, battery overheating, explosion, fire or harmful gases.
Do not use external charger on the boat.



- If there is a problem with the battery charging, call a qualified nautical electrician.

5.2 Engine and steering system

You can steer your boat and control the engine and trim tabs with the controls at the helm station.

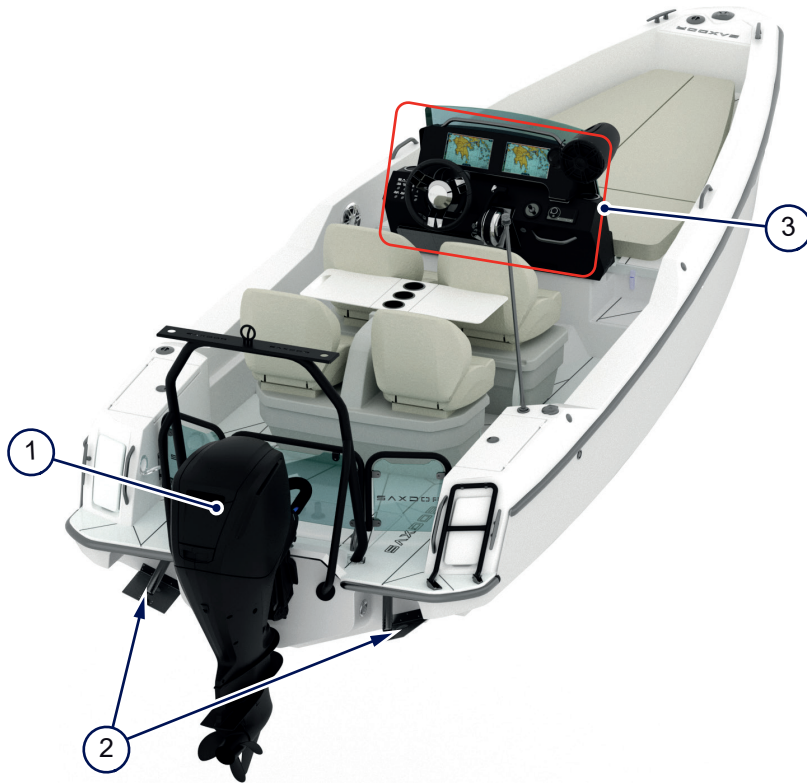


Figure 5.2 - Engine and steering

- | | | | |
|---|-----------|---|-------------------------------|
| 1 | Engine | 3 | Engine and trim tabs controls |
| 2 | Trim tabs | | |

Learn more

- How to use the engine controls, lanyard stop switch and how to trim your boat: [3.2 Driving and steering on page 20](#)

Related information

[4.2.1 Helm station controls on page 31](#)

5.2.1 Engine

The engine on your boat is a powerful, industry-leading outboard engine.

Before using the engine, check the engine manufacturer's manual for more detailed instructions for use and maintenance.

You can check your boat's engine model and serial number from the label on the engine. See Technical specification for the make and type of the engine(s) on your boat.

NOTICE

Risk of damage to the hull or engine fixing points.

Do not exceed the maximum engine power shown on your boat's builder's plate.

5.2.1.1 Starting the engine

Read the engine manufacturer's manual before starting the engine.

NOTICE

Neglecting the break-in period for a new engine may cause engine damage or result in poor engine performance.

For instructions for breaking in the engine as well as other more detailed instructions for using the engine, check the engine manufacturer's manual.



1. Before starting the engine, make sure there are no fuel or oil leaks and there is enough fuel in the tank.
2. Turn on the main switch.
3. Set the lanyard stop switch to the RUN position.
4. Check that the gear shift is in neutral.
5. Start the engine as described in the engine manufacturer's manual. If your boat has two engines, make sure to start them both.

5.2.2 Trim tabs

You can use the trim tabs to control the running angle of your boat.

Learn more

- About the basics of trimming and the trim tabs on your boat: [3.2 Driving and steering](#) on page 20

5.3 Fuel system

Your boat's engine runs on gasoline.

⚠ WARNING

Hot engine parts could cause a fire if in contact with flammable materials.

Store equipment that contains gasoline only in compartments designed for this purpose.



Figure 5.3 - Fuel system

- 1 Gasoline fuel filling inlet
- 2 Gasoline tank ventilation opening

You can monitor the gasoline fuel level in the tank on the chartplotter display. Always use high-quality gasoline that meets the requirements stated in the engine manufacturer's manual.

⚠ CAUTION

Risk of fire, explosion or material damage.

Avoid damaging the fuel lines on your boat. Pay attention to the location and condition of the fuel lines.

Check the engine and heater manufacturer's manuals for more information on:

- Instructions for use and care
- Detailed refueling instructions
- Suitable fuel types

Learn more

- How to minimize risk of fire: [2.5.3 Don't play with fire](#) on page 15

5.4 Draining system

Your boat's draining system consists of an automatic bilge pump system with two electric bilge pumps. The deck and the cockpit drain themselves along the deck towards the aft and out under the transom gate.



The draining system is not foolproof! The bilge pump system is not designed to pump out large amounts of water.

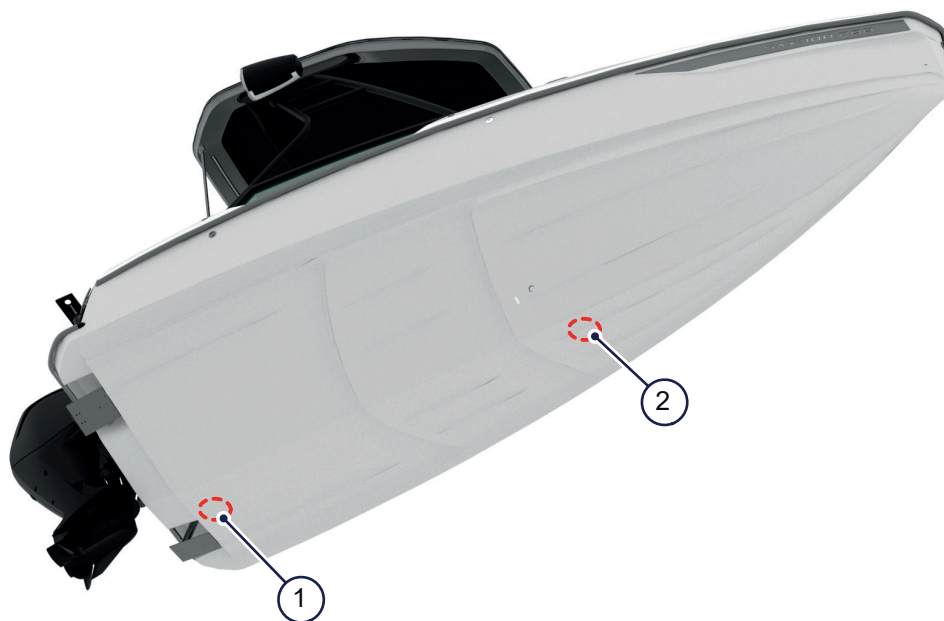


Figure 5.4 - Automatic bilge pumps

- 1 Aft bilge pump
- 2 Bow bilge pump

See the bilge pump manufacturer's manuals for instructions on how to use and maintain the pumps.

Learn more

- How to ensure stability: [2.5.1 Avoid flooding and capsizing on page 13](#)
- Where to find the bilge pump controls: [4.2.1 Helm station controls on page 31](#)

Related information

[4.5.3 Hull openings on page 43](#)

5.4.1 Using bilge pumps

If there is water in the bilge, the automatic bilge pump system activates and pumps out any extra water buildup from the bilge.

Normally, you don't need to do anything other than monitor the water buildup. The automatic bilge pumps detect water in the bilge and automatically pump out water when required.

You can also control the automatic bilge pump system from the Navigation and lighting control panel on the steering console. A light on the panel is lit when the pump is on.

- Start the automatic pump from the panel if water starts building up.



WARNING

The boat can sink if too much water gets into the boat.

If you suspect a leak, find out the reason and go ashore as soon as possible. The bilge pump system is not designed to pump out large amounts of water.

If there is a rapid increase in water accumulation, call rescue service.



5.5 Fresh and waste water systems

The fresh water system on your boat provides you water for the everyday use. The waste water system handles the black water produced on board.

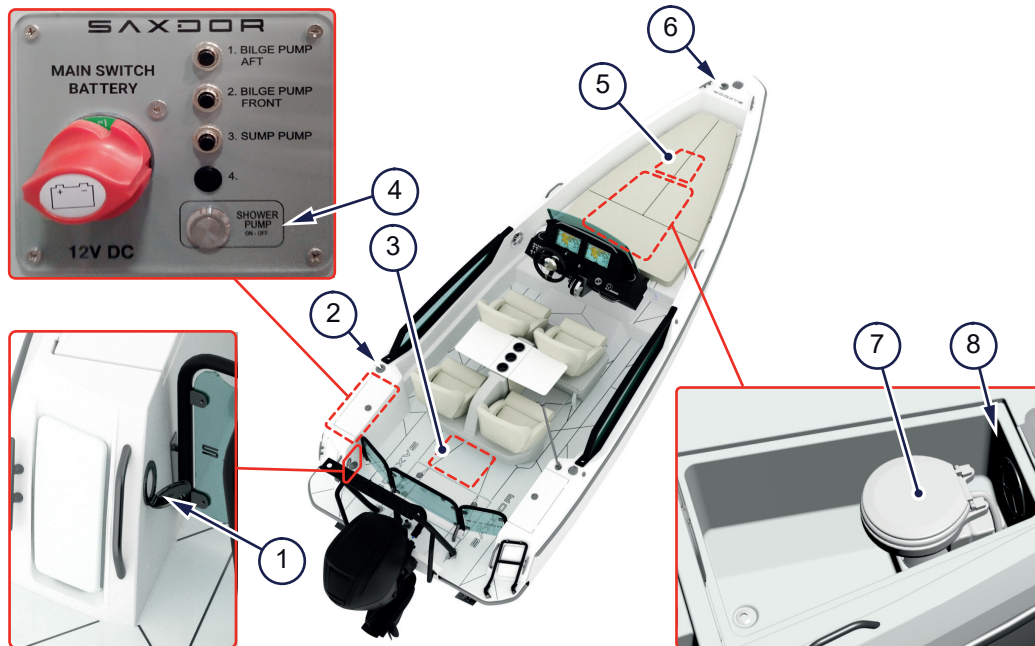


Figure 5.5 - Fresh and waste water systems

- | | | | |
|---|--|---|---|
| 1 | Fresh water shower | 5 | Waste water tank |
| 2 | Fresh water filling inlet | 6 | Waste water discharge outlet |
| 3 | Fresh water tank | 7 | Toilet |
| 4 | Fresh water pump button (on the battery main switch panel) | 8 | Toilet compartment control panel / toilet flush |

The fresh and waste water systems have each their own plumbing and tanks.

- The fresh water system provides water to the shower on the bathing platform. You can operate the fresh water pump with the **Shower pump** button on the battery main switch panel.
- The black water from the toilet is collected into the waste water tank. You can empty the waste water tank when in dock.
- The toilet operates electrically and uses fresh water for flushing.



When you leave the boat unused for a longer period of time or store the boat over winter, the fresh and waste water systems will build up bacteria and impurities, or will freeze in cold weather. Before you leave or store your boat, empty the fresh and waste water systems and tanks and flush them with fresh water.

5.5.1 Using the fresh water system



- Fill the fresh water tank from the filling inlet marked with the text **Water**. To ensure you will always have enough fresh water, top up the tank whenever you have the chance.
- If the water pressure is low, press the **Shower pump** button on the main switch panel to switch on the fresh water pump. The pump switches off automatically when the system has generated enough water pressure.
- To prevent a build-up of bacteria and impurities, empty, flush and refill the tank with fresh water at regular intervals.

Related information

[4.2.2 Toilet compartment control panel](#) on page 32

5.5.2 Using the toilet

Your boat is equipped with an electrical toilet.



- Press the **Toilet flush** button in the toilet compartment control panel to flush.

Related information

[4.2.2 Toilet compartment control panel](#) on page 32

5.5.3 Emptying the waste water tank

Always empty the waste water tank into the fixed waste water tank onshore.

⚠ CAUTION Pollution and health hazard.

Do not empty the waste water tanks into the water.

Plan your voyage in a way that you can always reach shore with proper fixed waste water tanks in good time before your waste water tanks get filled.



1. Make sure the seacocks in the waste water openings on your boat are closed tightly.
2. Connect the suction hose from the shore tank to your boat's waste water discharge outlet marked with the text **Waste**.
3. Turn on the waste water pump of the shore tank.
4. Hold the suction hose tightly in place in the discharge outlet during the whole emptying process to prevent any accidental spilling onto the deck or into the water.
5. When the waste water tank is empty, shut off the waste water pump on the shore.
6. Disconnect the suction hose from the discharge outlet on your boat and close the outlet lid tightly.

Related information

[6 Respect the environment](#) on page 61

5.6 Navigation equipment

Your boat is equipped with the navigation equipment of your choice. See the equipment manufacturers' manuals for details and instructions for their use.

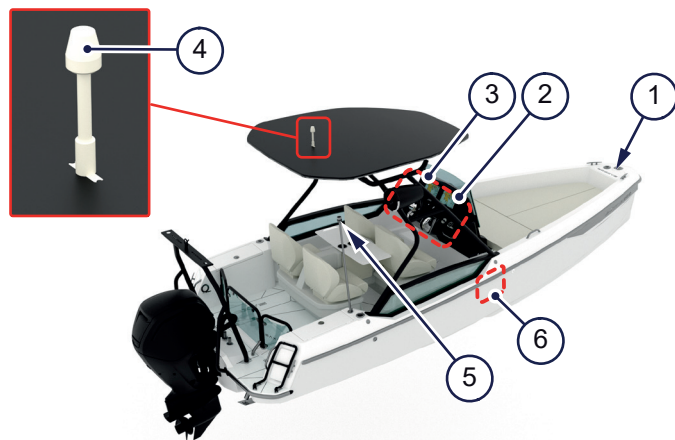


Figure 5.6 - Navigation equipment

- | | | | |
|---|---|---|------------------------------------|
| 1 | Navigation light | 4 | Anchor light (T-Top option) |
| 2 | Navigation equipment controls | 5 | Anchor light (Open cockpit option) |
| 3 | Horn (on the port side of the helm station) | 6 | Echosounder transducer |

Navigation lights and horn

Your boat is equipped with an LED navigation light, an anchor light and a horn. You can find the control buttons for all these equipment on the control panel at the helm station.

Chartplotter displays

You can control the chartplotter and the echosounder with the chartplotter display at the helm station.

Related information

[4.2.1 Helm station controls](#) on page 31

5.7 Comfort and fun

Find out here what fun and comforts your boat offers offshore, and how to protect the boat's interior and surfaces when in dock.

5.7.1 Seating

Your boat can have different optional setups for seating.

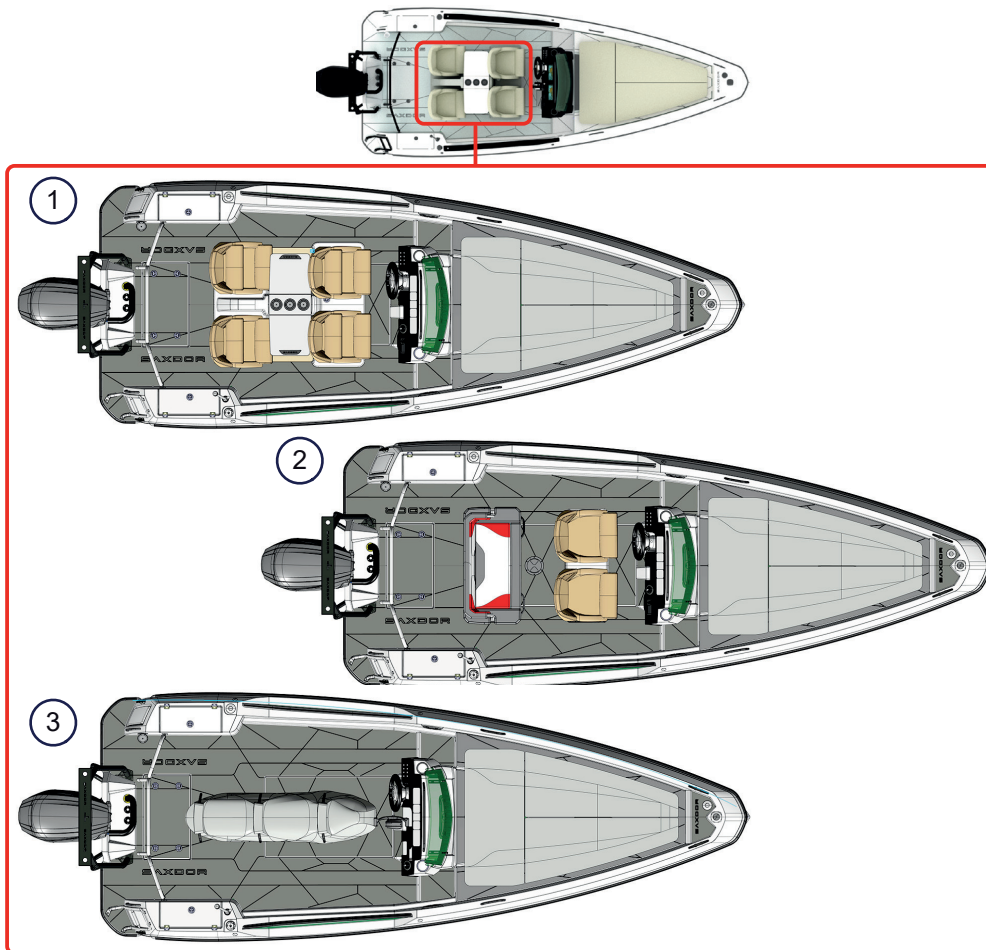


Figure 5.7 - Seating setups

1. Seating option:

- In the cockpit: two swivel seats.
- On the aft deck: two passenger seats and an adjustable table with a folding top.
There are extra seats available under the table when the you fold down the sides of the table top.
- Foredeck seats.

2. Seating option:

- In the cockpit: two swivel seats.
- On the aft deck: a sofa with an adjustable backrest. You can turn the backrest over so that you can sit facing either the bow or the aft.
- Foredeck seats.

3. Seating option:

- In the cockpit and on the aft deck: a jockey seat for three.
- Foredeck seats.

⚠ WARNING

Risk of death or serious injury.

Failure to lock the seat can cause you to be ejected from the seat.

Lock the cockpit seat when you drive.

Related information

[4.4.2 Safe seating and moving areas](#) on page 36

5.7.2 Water ski rack

The water ski rack on the bathing platform offers you a safe way to do water sports.

⚠ WARNING

Risk of serious injury or material damage.

The water ski rack and its mounting may tear off and cause damage and injury.

Use the rack only for water skiing. Do not use it for towing other boats, vessels or water toys.

⚠ CAUTION

Risk of injury or material damage.

Do not attach the water ski rope to cleats or other parts of the boat.

The water ski rack is a fixed, ready-to-use structure on the bathing platform.

Related information

[4.1.4 Bathing platform](#) on page 29

5.7.3 Bathing ladder

The bathing ladder on the bathing platform allows swimmers to go into the water and reboard safely and unattended. In addition, it is a safe way to rescue people from the water.

⚠ WARNING

A rotating propeller may cause death or a serious injury.

Shut off the engine when there are people in the water near the boat.

Do not reboard the boat when the engine is running.

Do not use the engine's cavitation plates for reboarding the boat.

⚠ CAUTION

Risk of injury or material damage.

Do not block access to the bathing ladder.

Do not drive the boat when the bathing ladder is down.

The bathing ladder is secured in place on the bathing platform. The bathing ladder is easy to fold down even when you are in the water.

Learn more

- How to rescue people from the water: [2.6.2 Man overboard!](#) on page 17

Related information

[4.1.4 Bathing platform](#) on page 29

5.7.4 Harbor covers

When you store your boat for the off-season, protect the seats, windshield and other surfaces from the sun, rain and dirt with harbor covers.

⚠ CAUTION

Risk of injury or material damage.

Do not use the harbor covers when driving. The covers may tear off in strong wind.

5.7.5 Lighting and audio

Lighting

Your boat is equipped with LED lighting on the deck and under the T-Top. You can adjust the lights from the control panel at the helm station.

Audio

Depending on the options you choose, your boat can be equipped with a Hi-fi audio system, including an audio device and speakers.

Check the audio equipment manufacturer's manuals for more information on the features and the use of the equipment.

Related information

[4.2.1 Helm station controls](#) on page 31

6 Respect the environment

As the proud captain of a Saxdor boat, you have the responsibility to protect the marine environment. Ensure that you and your crew comply with the environmental laws like the International Convention for the Prevention of Pollution from marine vessels (MARPOL) and the local regulations in the area where you are boating.

6.1 Handling waste properly



Follow these tips to ensure you are handling your boating waste properly.

- Never throw garbage or waste into the sea or on the shore.
- Never pour down sink substances that are harmful to the environment - even if your boat had a grey water tank that ensures that water does not drain directly into the sea from the sink.
- Never pump dirty bilge water into the sea. For dirty bilge water, use a separate container and dispose of it as hazardous waste.
- Check the bilge water regularly for contaminants like oil, diesel, or glycol.
- Do not empty the waste water tanks into the sea. Constantly monitor the level of your waste water tanks and plan your trip so that you can always empty the tanks at port.

6.2 Avoiding contaminant spills



Follow these tips to avoid contaminant spills.

- Take care not to spill fuel, oil, detergents or solvents into the sea. Keep oil absorbent material on board at all times in case of a spill or leakage.
- Do not overfill the fuel tank. Make sure fuel does not overflow into the sea from the fuel ventilation opening.
- When caring for your boat, do not use substances harmful to the environment. Follow the local regulations concerning acceptable cleaning agents, waxes and paints.

6.3 Minimizing emissions and disturbance



Follow these tips to minimize emissions and disturbance when boating.

- Have the engine and propeller serviced by an authorised professional.
- Adjust your speed to avoid disturbance and shoreline erosion caused by waves that your boat creates.
- To reduce fuel consumption and to avoid disturbing others, do not idle or rev the engine unnecessarily.
- Do not load your boat with unnecessary items as extra weight uses more fuel.
- Keep the hull of your boat clean to reduce the amount of drag.
- Maintain the optimal trim of the boat as it affects the fuel consumption.

6.4 Preventing the spreading of aquatic invasive species

Follow these tips to prevent the spreading of harmful watercraft-borne marine life.

The American Boat and Yacht Council (ABYC) has classified certain species of marine life as harmful aquatic invasive species (AIS). These species are plants, animals and microbes which can attach themselves to your boat or to your trailer, or which can find their way to the water systems or water deposits on your boat.



- Take necessary precaution when moving between different bodies of water to prevent the spreading of the AIS.
- Take necessary purification measures for your boat to eradicate the AIS.

The purification measures include (but not limited to) physical cleaning, draining and drying, as well as decontamination of the surfaces and water systems or water deposits on your boat.

- Contact your Saxdor dealer for more information about the prevention of the AIS.

7 Care for your boat

To ensure safety and the validity of your boat's warranty, have the boat regularly and professionally maintained and serviced.



Saxdor Yachts cannot be held responsible for modifications not approved by the company.

Always use trained and competent people for maintenance, repair or modifications.

Modifications that may affect the safety characteristics of the boat need to be assessed, executed and documented by competent people.

Contact your Saxdor dealer for information about authorized boat service providers.

Make sure your Saxdor dealer has registered the engine and other third party equipment on your boat with the equipment manufacturers to activate warranty. Warranty registration helps you in any service related issues with the equipment.

8 The details

Check here the relevant number information for your boat.

This information is handy when planning and provisioning for your next trip, and on the way, too.

8.1 Technical specification

Table 8.1 - General specifications

Description	Value
Boat model	Saxdor 200
Purpose of the boat	Recreational
Engine	Mercury 175 outboard engine
Maximum recommended engine power	129 kW / 175 HP
Maximum speed (v)	45 kn
Recommended fuel for the engine	See the engine manufacturer's manual
Maximum number of people on board: • Design category C	6
Battery DC system voltage	12 V
Breaking strength of strong points	50 kN

Table 8.2 - Weights

Description	Value	
Light craft condition (m_{LC})	1882.2 kg	4150 lb
Maximum load on the builder's plate (m_{MBP})	480 kg	1058 lb
Maximum load	722.2 kg	1592 lb
Weight of the maximum recommended number of people (included on the builder's plate) 1)	450 kg	992 lb
Luggage and other personal belongings (included on the builder's plate)	15 kg	33 lb
Engine (recommended maximum)	210 kg	463 lb
Fuel	78.4 kg	173 lb

Description	Value	
Fresh water	30 kg	66 lb
Waste water	23.8 kg	52 lb
Weight of the boat when towed on a trailer (m _T) 2)	1900 kg	4189 lb

1) Calculated average: one adult equals 75 kg / 165 lb, one child 37.5 kg / 83 lb.

2) Items included in the m_T weight: structure, permanent internal and external equipment, engine, tanks and tank content.

Items not included in the m_T weight: loose internal equipment, loose electronic and navigational equipment (e.g. charts), tools, spare parts, personal safety and life-saving equipment, provisions, bilge water, bait tanks

Table 8.3 - Tank capacities

Description	Value	
Gasoline (for the engine)	110 L	29.1 gal
Fresh water	31 L	8.2 gal
Waste water	24 L	6.3 gal

Table 8.4 - Bilge pump capacity

Description	Value	
Automatic	31.5 L/min	8.3 gal/min

Table 8.5 - Lifting point locations

Dimension	Description	Value	
A	Minimum distance between the bow and aft lifting points	2.74 m	8.99 ft
B	Minimum distance from the measuring point in the end of the keel to the lifting point in the aft	0.24 m	0.79 ft

8.2 Boat dimensions

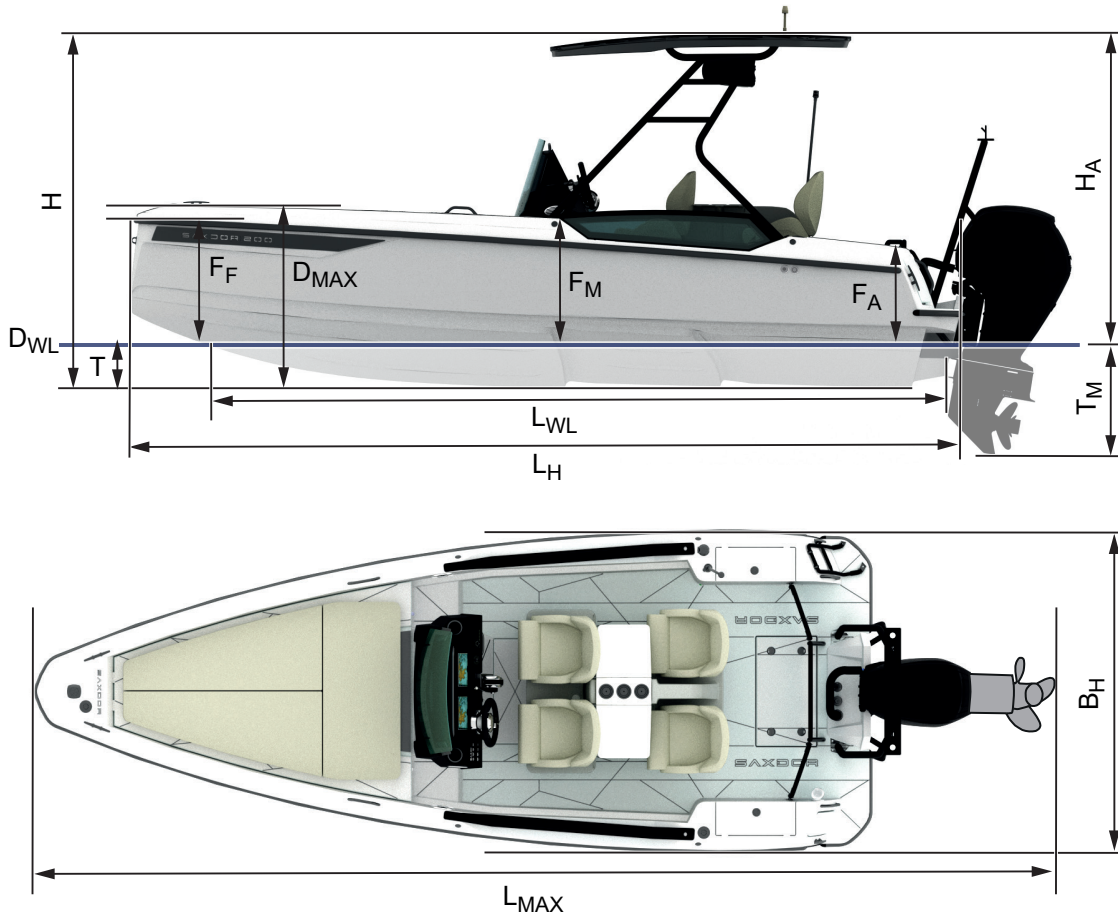


Figure 8.1 - Saxdor 200 dimensions

Table 8.6 - Description of dimensions

Dimension	Description	Value	
H_A	Air draft: the height from the waterline to the highest non-removable part of the boat (radar/antennas/lights on the T-Top)	2.26 m	7.41 ft
H	Overall height: the height from the bottom of the hull to the highest non-removable part of the boat	2.69 m	8.83 ft
L_H	Overall hull length: the overall length of the hull from the bow to the end of the bathing platform	5.95 m	19.52 ft
T_M	Hull draft: the measure from the waterline to the lowest part of the engine (the fin-like skeg that protects the propeller)	0.72 m	2.36 ft
T	Draft: the measure from the waterline to the bottom of the keel	0.43 m	1.41 ft

Dimension	Description	Value	
B _H	Beam: the width of the boat	2.29 m	7.51 ft
L _{MAX}	Maximum length: the length of the boat from the bow to the end of the tilted engine	7.05 m	23.13 ft
L _{WL}	Length at waterline: the length of the boat at the waterline	5.31 m	17.42 ft
F _F	Measure from the bow to the waterline	0.91 m	2.99 ft
D _{MAX}	Measure from the highest point of the hull to the bottom of the keel	1.28 m	4.20 ft
F _M	Measure from the cockpit to the waterline	0.90 m	2.95 ft
F _A	Measure from the aft to the waterline	0.66 m	2.17 ft

8.3 Hull dimensions

See here the dimensions of the hull of your boat. You may need the measurements when acquiring a trailer, cradles or boat lifts, or in other circumstances where the hull dimensions are relevant.



The measurements in the drawing are given in millimeters.

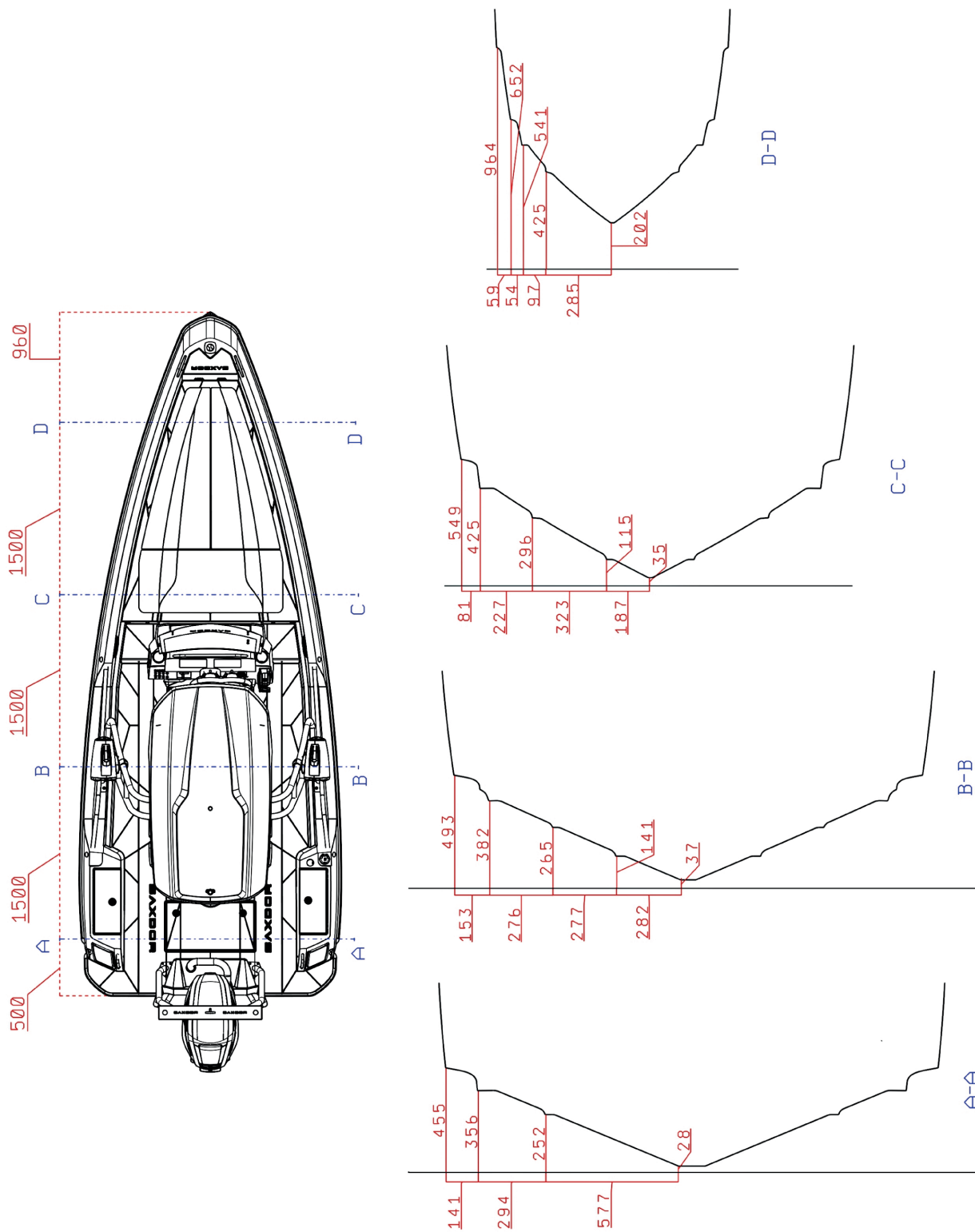


Figure 8.2 - Hull dimensions

9 Extras

Check here the relevant info about the warranty and qualification of your boat, as well links to the manufacturer's information about the different equipment on your boat.

9.1 Electrical wiring diagram

The electrical wiring diagram includes the drawings of all circuits and electrical connections on your boat.

- If you need a copy of the electrical wiring diagram, please contact Saxdor Yachts.

9.2 Warranty

The warranty states the guarantee of the integrity of your boat and the maker's responsibility of your boat.

- Check the warranty at www.saxdoryachts.com.

9.3 Equipment manufacturers' websites

The equipment on your boat consists of top products from different original manufacturers. You can find the manuals for the equipment in the Saxdor documentation bag. For more details, check the equipment manufacturer's websites.

Table 9.1 - Equipment manufacturers

Equipment	Product model	Link
Audio equipment	<ul style="list-style-type: none"> • Fusion MS-BB10 Media Black Box • MS-WB670 Radio • Apollo ERX400 • Speaker SG-FL652SPC6, 5" • Speaker XS-FL65SPGW6, 5" 	www.garmin.com
Bilge pumps	Albin automatic 500 GPH bilge pump	https://albin.group
Chartplotter	Simrad NSX 3012	www.simrad-yachting.com
Engine and accessories	Mercury V6 CMS 175	www.mercurymarine.com
Toilet	Marine Toilet Standard Electric EVO comfort 12V	www.jabsco.com

Equipment	Product model	Link
Trim tabs	Ultraflex AC12 compact set	www.lenco.com
Wireless lanyard stop switch	1st Mate for Mercury SmartCraft Engines	www.1stMate.net

9.4 Warnings and cautions

Heed all the warnings and cautions in this manual! For your convenience, they are also listed here.

DANGER

Risk of electric shock, fire or explosion.

Remember that water and electricity are a bad combination.

Let only a competent marine electrical technician carry out any installation, alteration or maintenance work to the electrical system.

WARNING

Neglecting the necessary safety precautions can risk lives.

Take safety seriously. Remember that you as the driver are responsible for the safety for others.

WARNING

Not heeding the limitations on the builder's plate can put you and your passengers at risk.

Do not exceed the maximum permitted engine power or number of persons on board.

Respect the conditions set out by the design category of your boat.

WARNING

Not respecting the design category limitations of your boat can put you and your passengers at risk.

Do not exceed the maximum permitted engine power or number of persons on board.

Ensure that the anticipated wind and sea conditions correspond to the design category of your boat.

Always make sure your boat and your operating skills match the weather and water conditions where you are going to operate.

WARNING

Any change in the weight distribution may significantly affect the stability, trim and performance of the boat.

When loading the boat, never exceed the maximum recommended load. Always load the boat carefully and distribute loads appropriately to maintain design trim (approximately level). Avoid placing heavy weights high up.

Take into account any modifications that may affect weight distribution, such as a different engine or a fishing tower.

⚠ WARNING Getting entrapped in the cabin and not having quick access to safety equipment can be fatal in case of flooding.

Never lock or block the access to the emergency exits or safety equipment.

Do not store luggage or other heavy items on top of the front deck hatch.

⚠ WARNING Getting water into the hatches or inside the boat increases the risk of flooding.

Always keep hatches closed when under way.

⚠ WARNING Risk of fire or explosion.

Handle open flame and fuel-driven devices with caution.

⚠ WARNING Careless refueling is a fire hazard.

Never fill the fuel tank or handle fuel when the engine is running.

Don't smoke when handling fuel.

⚠ WARNING Trying to cope by yourself too long can quickly escalate an emergency.

In case you cannot handle the situation, always contact rescue service without delay!

⚠ WARNING Risk of drowning! The boat can sink or capsize if too much water gets into the boat.

Do not rely solely on the bilge pump system. It is not designed to pump out large amounts of water.

⚠ WARNING Risk of injury.

Do not use the outboard engine's cavitation plates for reboarding.

⚠ WARNING Risk of explosion.

Never use water to put out fuel fire. If the fire gets in touch with a flammable fuel, water can spread the fire and cause an explosion.

⚠ WARNING Carbon monoxide (CO) is harmful to your health in higher concentrations, and can even be lethal. Even low concentrations of CO can cause damage with prolonged exposure.

Prevent the accumulation of CO in the first place by minimizing the risk situations.

Act quickly if the CO alarm turns on or if you suspect CO poisoning.

⚠ WARNING

Poor trimming can risk lives! Adjusting the trim angle at high speeds may radically affect your boat's behavior. A high running trim can obstruct the view so you may not notice swimmers and small vessels.

Avoid making adjustments at high speeds.

Don't drive with the bow high for long periods of time. Trim the boat's vertical angle to lower the attitude in congested areas.

⚠ WARNING

Overcorrecting, dropping the speed suddenly or hitting the waves at a wrong angle when driving at high speeds can have serious consequences.

Do not exceed your boating capabilities. Drive at speeds you are comfortable with. Avoid sudden maneuvers.

Always use the lanyard stop switch.

⚠ WARNING

Risk of electric shock, battery overheating, explosion, fire or harmful gases.

Do not block the battery ventilation.

⚠ WARNING

Risk of electric shock, battery overheating, explosion, fire or harmful gases.

Do not use external charger on the boat.

⚠ WARNING

Hot engine parts could cause a fire if in contact with flammable materials.

Store equipment that contains gasoline only in compartments designed for this purpose.

⚠ WARNING

The boat can sink if too much water gets into the boat.

If you suspect a leak, find out the reason and go ashore as soon as possible. The bilge pump system is not designed to pump out large amounts of water.

If there is a rapid increase in water accumulation, call rescue service.

⚠ WARNING

Risk of death or serious injury.

Failure to lock the seat can cause you to be ejected from the seat.

Lock the cockpit seat when you drive.

⚠ WARNING

Risk of serious injury or material damage.

The water ski rack and its mounting may tear off and cause damage and injury.

Use the rack only for water skiing. Do not use it for towing other boats, vessels or water toys.

⚠ WARNING

A rotating propeller may cause death or a serious injury.

Shut off the engine when there are people in the water near the boat.

Do not reboard the boat when the engine is running.

Do not use the engine's cavitation plates for reboarding the boat.

⚠ CAUTION

The boat may tip or the lifting straps may slide during lifting if the straps are not attached properly or if the loads move and disturb the balance of the boat.

Empty the bilge and waste water tanks and remove any unnecessary load from the boat.

Do not hook the boat through the aft wings as the straps may slide away.

⚠ CAUTION

Trailing a large load can be a traffic hazard.

Use a trailer that is suitable for the boat.

Do not exceed the trailer capacity.

Secure the boat and the trailer properly.

⚠ CAUTION

Risk of electric shock.

Do not touch the batteries or electric connections.

⚠ CAUTION

Risk of fire, explosion or material damage.

Avoid damaging the fuel lines on your boat. Pay attention to the location and condition of the fuel lines.

⚠ CAUTION

Pollution and health hazard.

Do not empty the black water tank into the water.

Plan your voyage in a way that you can always reach shore with proper fixed waste water tanks in good time before your black water tank get filled.

⚠ CAUTION

Risk of injury or material damage.

Always lift the anchor up and secure it in the anchor box when you are not using the anchor.

⚠ CAUTION

Risk of injury or material damage.

Do not attach the water ski rope to cleats or other parts of the boat.

⚠ CAUTION

Risk of injury or material damage.

Do not block access to the bathing ladder.

Do not drive the boat when the bathing ladder is down.

⚠ CAUTION

Risk of injury or material damage.

Do not use the harbor covers when driving. The covers may tear off in strong wind.



Saxdor Yachts cannot be held responsible for modifications not approved by the company.

Always use trained and competent people for maintenance, repair or modifications.

Modifications that may affect the safety characteristics of the boat need to be assessed, executed and documented by competent people.

9.5 Glossary

Check here the terms and abbreviations used in the manual.

Table 9.2 - Terms and abbreviations

Term, abbreviation, acronym	Definition
ABYC	American Boat and Yacht Council
Aft, AFT	The rear of the boat
Aftdeck	Deck area in the rear part of the boat, social area
AIS	An automatic identification system (AIS) transponder which automatically provides position, identification and other information about the boat to other ships and to coastal authorities
	Aquatic Invasive Species. Plants, animals or microbes that have been classified as harmful by the ABYC if they spread from a body of water to another body of water.
ANSI	American National Standards Institute, the main organization supporting the development of technology standards in the United States
Auxiliary, Aux	Backup or supplementary equipment, such as auxiliary battery
Beaufort scale, BFT	The measure that relates wind speed to observed conditions at sea or on land
Bilge	Lowest point of the boat's inner hull
Black water	The waste water collected from the toilet.
Bow	The front end of the boat

Term, abbreviation, acronym	Definition
COLREG	International regulations for preventing collisions at sea
Foredeck	Deck area at the bow of the boat
GPS	Global positioning system
Grey water	The waste water collected from the sinks in the toilet compartment and wet bar, and from the condensate water of the air conditioning unit.
Helm station	Steering station comprising the steering and navigation equipment and the driver's seat
Hull	Boat's frame
ISO	International Standards Organization, the international standard development organization
kN	Kilonewton, unit of force
kn	Knot, a unit of speed equal to one nautical mile per hour (1 kn = 1.852 km/h or 1.151 mph)
kW	Kilowatt, unit of engine power (1 kW = 1.34 hp)
MARPOL	International Convention for the Prevention of Pollution from Ships
NMEA	National Marine Electronics Association, a combined electrical and data specification for communication between marine electronics such as echo sounder, sonars, autopilot, GPS receivers and many other types of instruments
Port	Left side of the boat when facing the bow
Starboard, STB	Right side of the boat when facing the bow
Saxdor documentation bag	A satchel including the manufacturer's manuals for the different equipment on the boat
Transom	Vertical section at the stern of the boat
Trim	The relationship of the boat's bow and stern angle to the water. Also known as attitude.
VHF	Very High Frequency radio communication system

SAXDOR

ROCK THE BOAT INDUSTRY!

Contact

Saxdor Yachts Oy
Veneentekijäntie 14, 2nd floor
00210
Helsinki, Finland

www.saxdoryachts.com

hello@saxdor.com